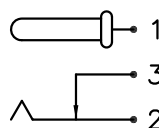
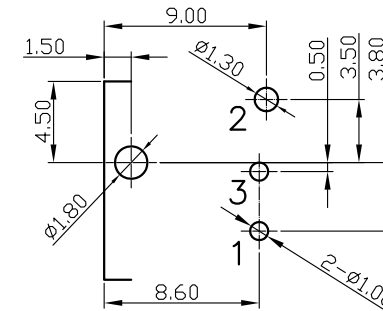
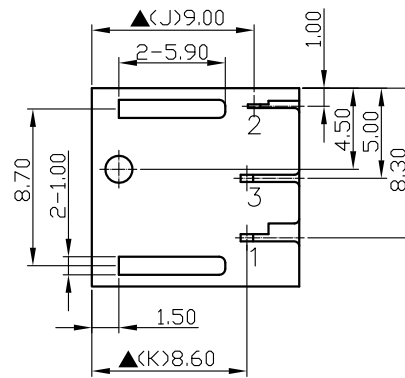
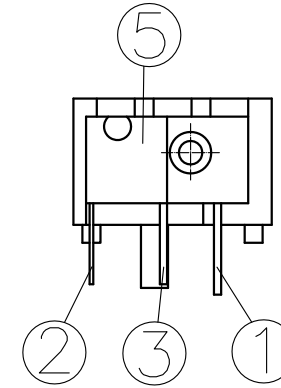
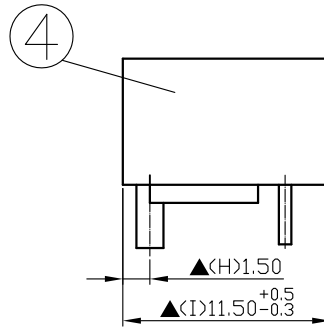
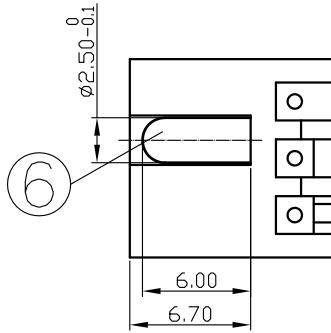
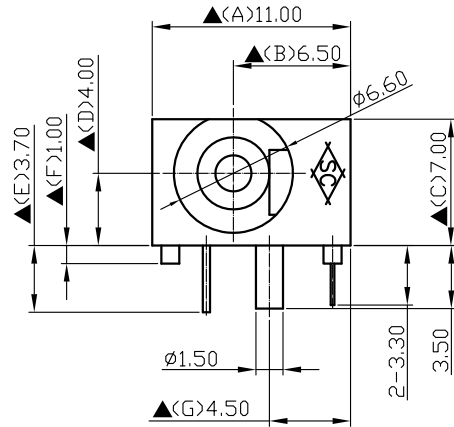


|           |   |
|-----------|---|
| SCHEMATIC |  |
| MODEL NO  | C   |



Pin Hole Layout  
(Jack Bottom View)

| 6.  | Pin(2.5 $\phi$ ) | Copper     | 1     | Nickel Plated |
|-----|------------------|------------|-------|---------------|
| 5.  | Cover            | PBT+15%    | 1     | Black Color   |
| 4.  | Housing          | PBT+30%    | 1     | Black Color   |
| 3.  | Break Terminal   | 0.4T Brass | 1     | Silver Plated |
| 2.  | Sleeve Spring    | 0.2T YcuT  | 1     | Silver Plated |
| 1.  | Pin Terminal     | 0.4T Brass | 1     | Silver Plated |
| NO. | Description      | Material   | Q' TY | Finish        |

|  |            |     |      |      |         |
|--|------------|-----|------|------|---------|
|  <b>S.C.PRECISION INDUSTRIAL CO., LTD.</b> | DATE       | DWN | CHKD | APVD | MANAGER |
|  | 10.06.2021 | 王平華 |      |      |         |

For Redference  
僅供參考

RoHS&SVHC  
Compliant

|                           |                              |             |
|---------------------------|------------------------------|-------------|
| PART NAME : DC POWER JACK | PART NUMBER:SCD447DCS000B00G | VERSION:9.0 |
|---------------------------|------------------------------|-------------|

|   |   |           |
|---|---|-----------|
| TOLERANCE : $\pm 0.3$ mm UNLESS OTHERWISE SPECIFIED | UNIT:mm  | SCALE:1/1 |
|---|---|-----------|

SPECIFICATIONS:  
 Contact Resistance : 30m $\Omega$  max  
 Current Rating : Max 5.0A , 24V DC  
 Insulation Resistance : 100M $\Omega$  min. at DC 500V  
 Dielectric Withstanding Voltage: AC 500V for one minute  
 Remark: ▲ : The Most Important Dimension