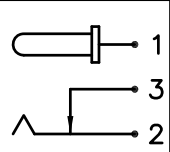
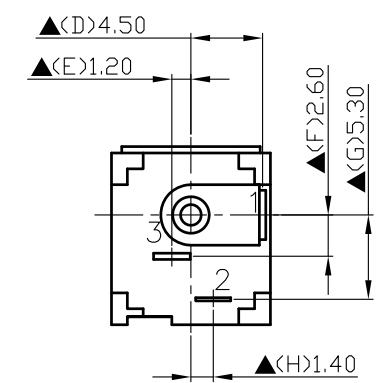
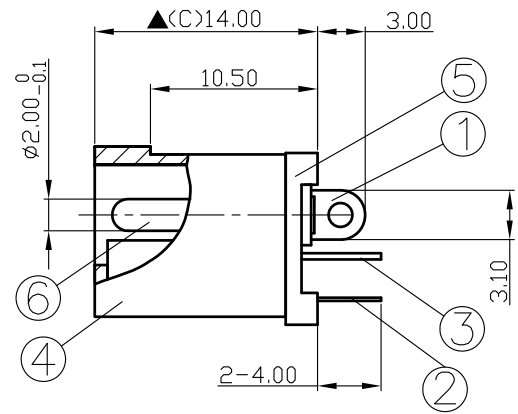
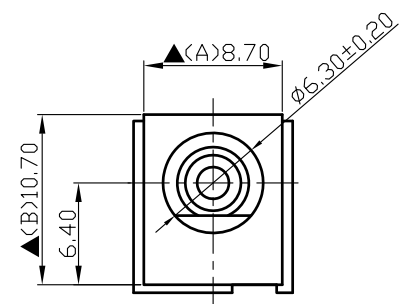
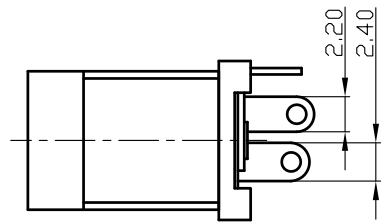
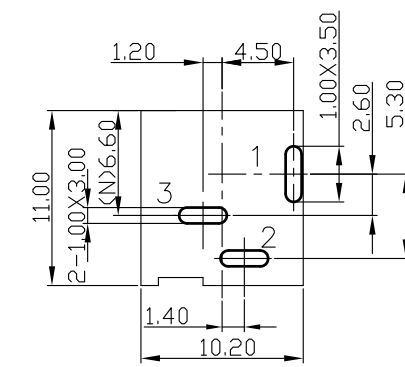
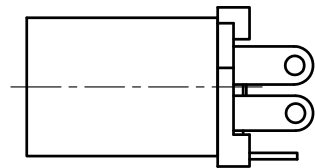


SCHEMATIC	
MODEL NO	C




6.	Pin(2.0 ϕ)	Brass	1	Nickel Plated
5.	Cover	PBT+30%	1	Black Color
4.	Housing	PBT+15%	1	Black Color
3.	Break Terminal	0.4T Brass	1	Silver Plated
2.	Sleeve Spring	0.25 Phosphor Bronze	1	Silver Plated
1.	Pin Terminal	0.4T Brass	1	Silver Plated
NO.	Description	Material	Q'TY	Finish



Pin Hole Layout
(Jack Bottom View)

For Redference
僅供參考

RoHS&SVHC
Compliant

 S.C.PRECISION INDUSTRIAL CO., LTD.	DATE	DWN	CHKD	APVD	MANAGER
	09.24.2021	王平華			

PART NAME : DC POWER JACK	PART NUMBER: SCD437CCS000B00G	VERSION: 10.0
---------------------------	-------------------------------	---------------

TOLERANCE : $\pm 0.3\text{mm}$ UNLESS OTHERWISE SPECIFIED	UNIT: mm 	SCALE: 1/1
---	--	------------

SPECIFICATIONS:
 Contact Resistance : 30m Ω max
 Current Rating : Max 5.0A , 24V DC
 Insulation Resistance : 100M Ω min. at DC 500V
 Dielectric Withstanding Voltage: AC 500V for one minute
 Remark: ▲: The Most Important Dimension