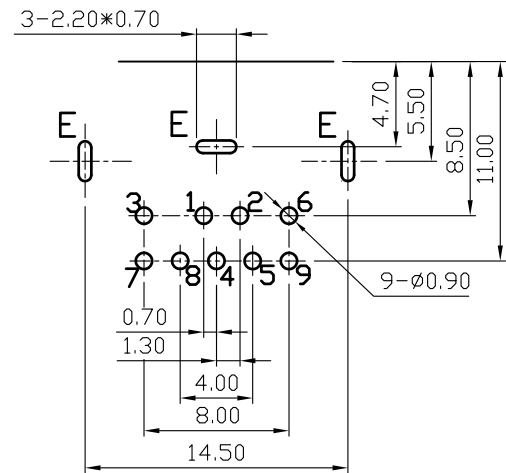
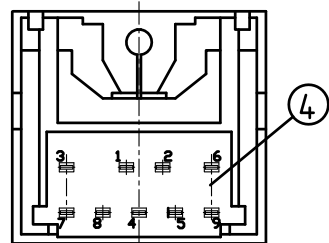
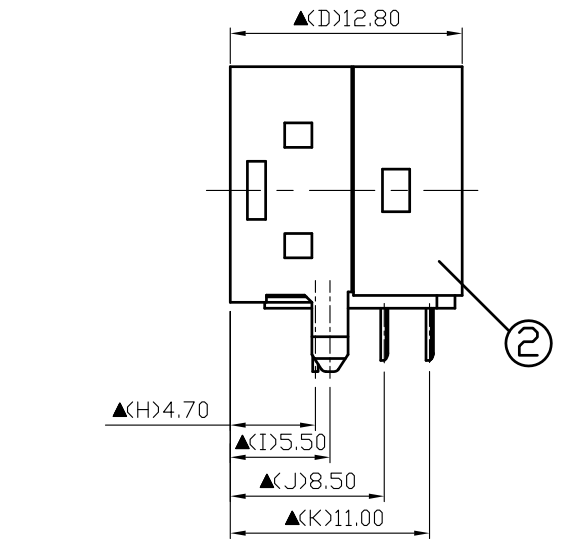
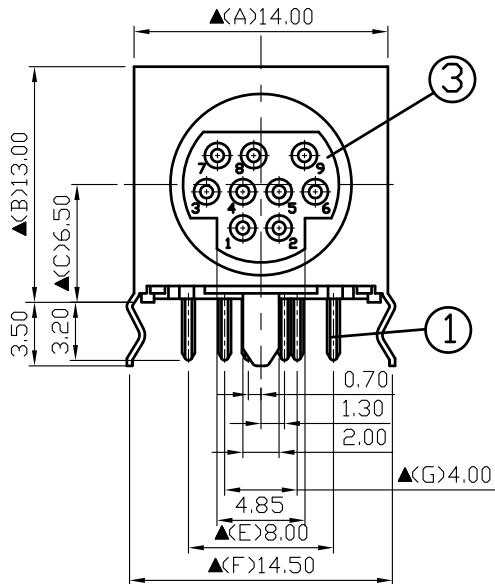
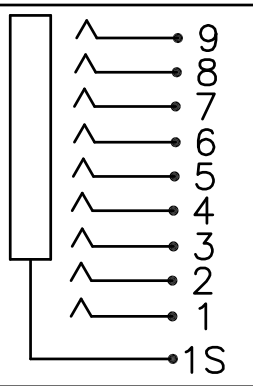


SCHEMATIC



Pin Hole Layout
(Jack Bottom View)

4.	Cover	PBT+30%	1	Black Color
3.	Housing	PBT+30%	1	Black Color
2.	Metal Shell	0.3T Brass	1	Nickel Plating
1.	Terminal	0.2T Phosphor Bronze	9	Gold Flash Plated Contact & Terminal Plated With Tin
NO.	Description	Material	Q'TY	Finish

 S.C. PRECISION INDUSTRIAL CO., LTD.	DATE	DWN	CHKD	APVD	MANAGER
	02.15.2022	王平華			

PART NAME : MINI DIN JACK	PART NUMBER: SCN554S9GTNB010G	VERSION: 6.0
---------------------------	-------------------------------	--------------

TOLERANCE : ±0.3mm UNLESS OTHERWISE SPECIFIED	UNIT: mm	SCALE: 1/1
---	----------	------------

For Redference
僅供參考

RoHS&SVHC
Compliant

SPECIFICATIONS:
 Contact Resistance : 30mΩ max
 Insulation Resistance : 100MΩ min. at DC 500V
 Dielectric Withstand Voltage : AC 500V for one minute
 Remark: ▲ : The Most Important Dimension