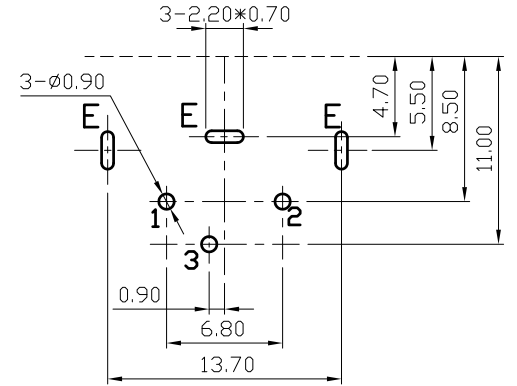
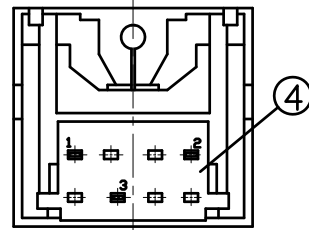
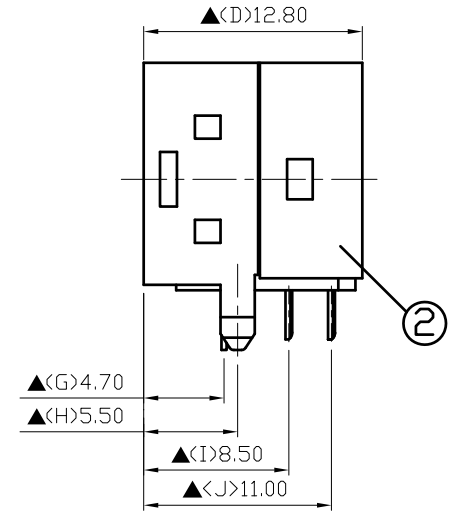
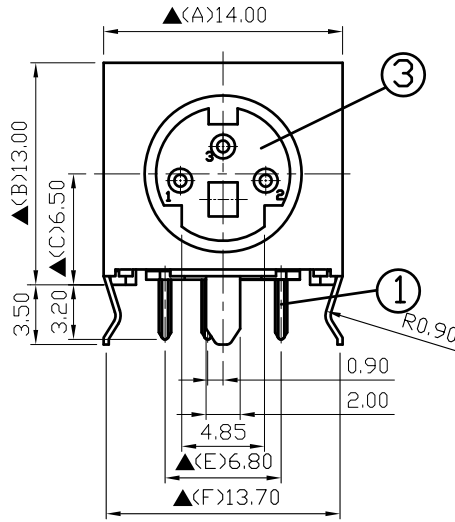
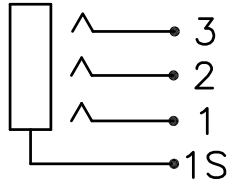


SCHEMATIC



Pin Hole Layout
(Jack Bottom View)

4.	Cover	PBT+30%	1	Black Color
3.	Housing	PBT+30%	1	Black Color
2.	Metal Shell	0.3T Brass	1	Nickel Plating
1.	Terminal	0.2T Phosphor Bronze	3	Gold Flash Plated Contact & Terminal Plated With Tin
NO.	Description	Material	Q' TY	Finish



S.C. PRECISION INDUSTRIAL CO., LTD.

DATE	DWN	CHKD	APVD	MANAGER
02.15.2022	王平華			

For Redference
僅供參考

RoHS&SVHC
Compliant

PART NAME : MINI DIN JACK

PART NUMBER: SCN554S3GTNB010G

VERSION:8.0

TOLERANCE :±0.3mm UNLESS OTHERWISE SPECIFIED

UNIT:mm



SCALE:1/1

SPECIFICATIONS:
 Contact Resistance : 30mΩ max
 Insulation Resistance : 100MΩ min. at DC 500V
 Dielectric Withstanding Voltage: AC 500V for one minute
 Remark: ▲: The Most Important Dimension