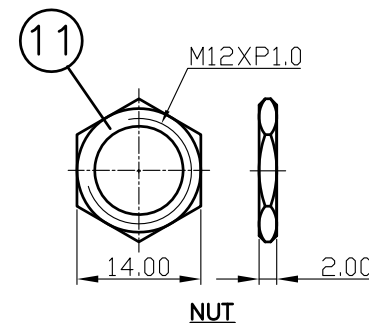
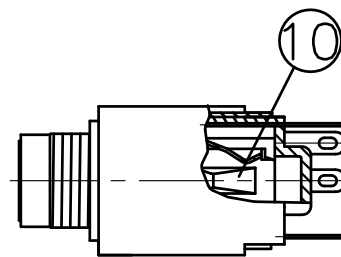
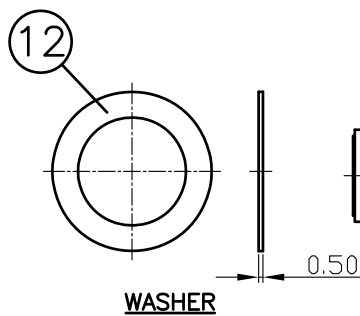


12	Washer	0.5T Steel	1	Nickel Plated
11	Nut	2.0T Steel	1	Nickel Plated
10	Insulator	POM	1	Ivory Color
9.	Insulator	Red Vulcanited Fibre	1	Red Color
8.	Bushing	Low Lead Brass Rod	1	Nickel Plated
7.	Barre(W/Thread)	POM	1	Black Color
6.	Cover	0.5T Steel	1	Nickel Plated
5.	Housing	POM	1	Black Color
4.	Ring Spring	0.35T Phosphor Bronze	1	Silver Plated
3.	Tip Spring	0.35T Phosphor Bronze	1	Silver Plated
2.	Transfer Terminal	0.4T Brass	1	Silver Plated
1.	Break Terminal	0.35T Phosphor Bronze	1	Silver Plated
NO.	Description	Material	Q'TY	Finish



S.C. PRECISION INDUSTRIAL CO., LTD.	DATE	DWN	CHKD	APVD	MANAGER
	07.27.2021	王平華			

For Redference
僅供參考

RoHS&SVHC
Compliant

PART NAME : 6.3φ PHONE JACK PART NUMBER: SCJ618R0NBS1B21L VERSION: 1.0

TOLERANCE : ±0.3mm UNLESS OTHERWISE SPECIFIED UNIT: mm SCALE: 1/1

SPECIFICATIONS:
 Contact Resistance : 30mΩ max
 Insulation Resistance : 100MΩ min. at DC 500V
 Dielectric Withstanding Voltage: AC 500V for one minute
 Remark: ▲: The Most Important Dimension