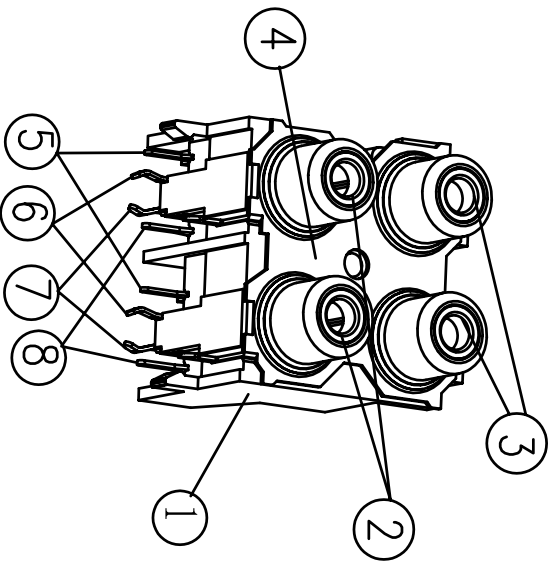
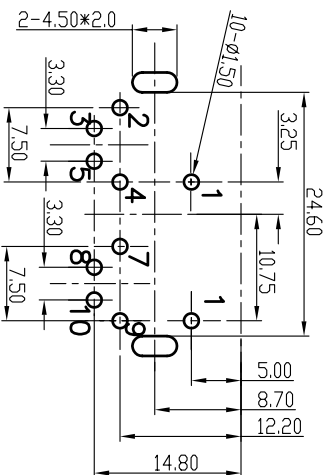
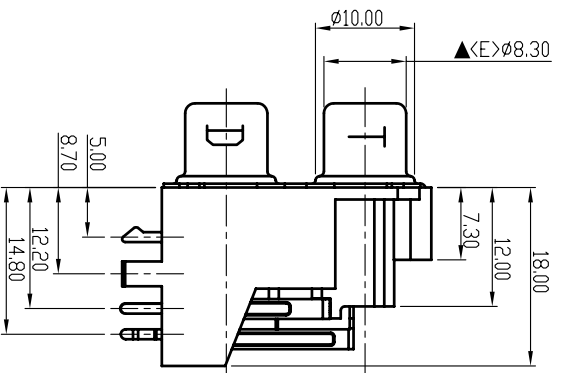
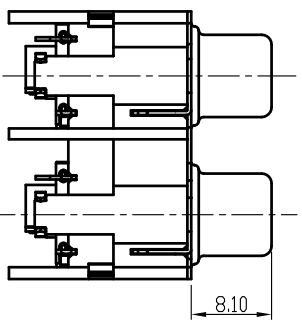
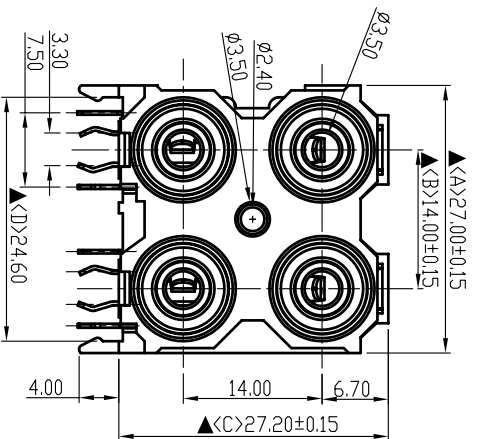


SCHMATIC	
V	L R



8.	Spring T	0.40T Phosphor Bronze	2	Silver Plated
7.	Terminal T	0.4T Brass	2	Silver Plated
6.	Terminal D	0.30T Brass	2	Silver Plated
5.	Spring D	0.35T Phosphor Bronze	2	Silver Plated
4.	Earth Terminal	0.4T Brass	1	Nickel Plated
3.	Insulator T	PBT	2	White Color
2.	Insulator D	PBT	2	Red Color
1.	Housing	PA66+33%GF	1	Black Color
NO.	Description	Material	Q'TY	Finish



Pin Hole Layout  
(Jack Bottom View)

**S.C. PRECISION INDUSTRIAL CO., LTD.**

DATE	DWN	CHKD	APVD	MANAGER
05.13.2010				

PART NAME : PIN JACK      PART NUMBER: SCP672VNSS323200G      VERSION: 2.0

TOLERANCE : ±0.3mm UNLESS OTHERWISE SPECIFIED      UNIT: mm      SCALE: 1/1

**SPECIFICATIONS:**  
 Contact Resistance : 30mΩ max  
 Insulation Resistance : 100MΩ min. at DC 500V  
 Dielectric Withstand Voltage : AC 500V for one minute  
 Remark: ▲: The Most Important Dimension

RoHS Pb Free Process For Reference 僅供參考