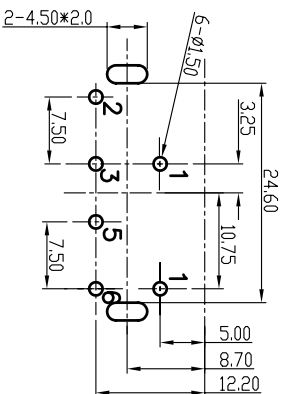
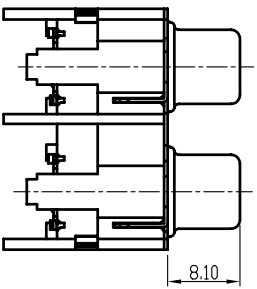
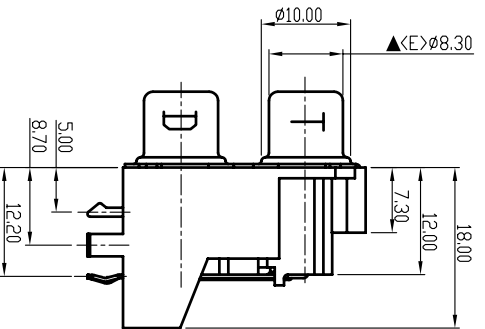
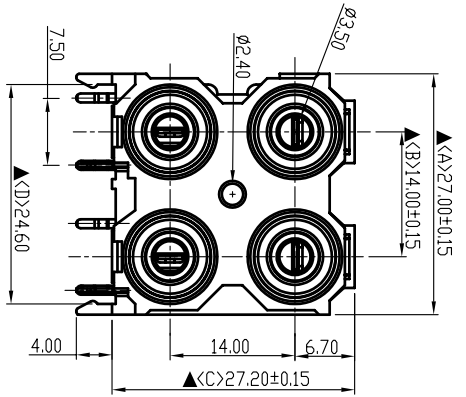
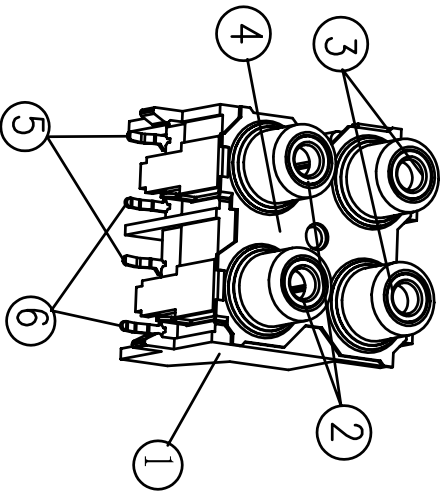


SCHMATIC		WASHER COLOR	
U	L R		



Pin Hole Layout
(Jack Bottom View)

6.	Terminal T	04T Brass	2	Silver Plated
5.	Terminal D	04T Brass	2	Silver Plated
4.	Earth Terminal	04T Brass	1	Nickel Plated
3.	Insulator T	PBT	2	White Color
2.	Insulator D	PBT	2	Red Color
1.	Housing	PA66+33%GF	1	Black Color
NO.	Description	Material	Q'TY	Finish

S.C. PRECISION INDUSTRIAL CO., LTD.

DATE	DWN	CHKD	APVD	MANAGER
09.21.2006				

PART NAME : PIN JACK

PART NUMBER: SCP672UNNS323200G

VERSION: 1.0

TOLERANCE : ±0.3mm UNLESS OTHERWISE SPECIFIED

UNIT: mm



SCALE: 1/1

SPECIFICATIONS:

Contact Resistance : 30mΩ max
 Insulation Resistance : 100MΩ min. at DC 500V
 Dielectric Withstand Voltage : AC 500V for one minute
 Remark: ▲: The Most Important Dimension

RoHS
Pb Free Process

For Reference
僅供參考