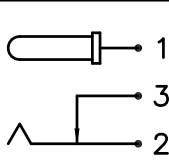
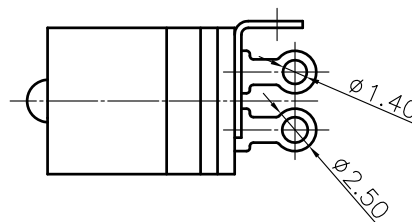
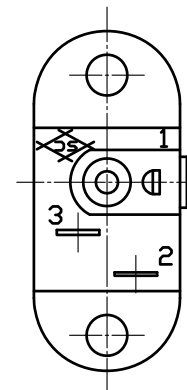
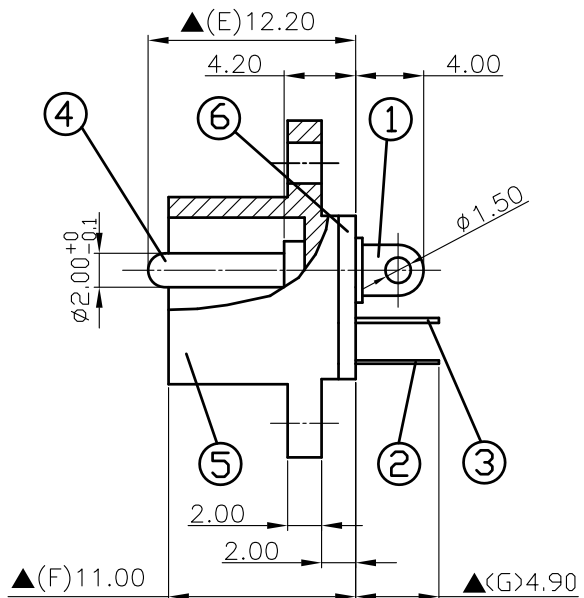
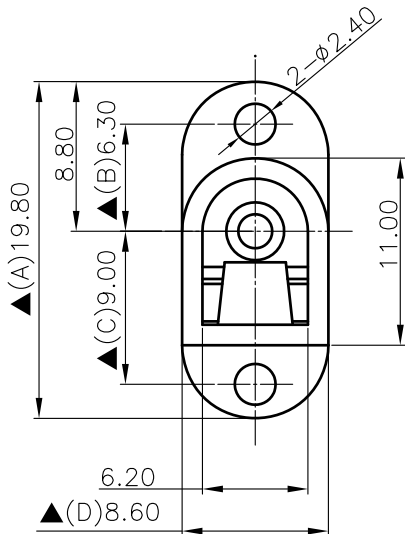


SCHEMATIC	
MODEL NO	C



6.	Insulator	1.0T Bakelite	1	Natural
5.	Housing	PBT+15%	1	Black Color
4.	Pin(2.0φ)	Brass	1	Nickel Plated
3.	Break Terminal	0.3T Brass	1	Silver Plated
2.	Sleeve Spring	0.2T Phosphor Bronze	1	Silver Plated
1.	Pin Terminal	0.4T Brass	1	Silver Plated
NO.	Description	Material	Q'TY	Finish



S.C. PRECISION INDUSTRIAL CO., LTD.

DATE	DWN	CHKD	APVD	MANAGER
09.30.2021	王平華			

PART NAME : DC POWER JACK

PART NUMBER: SCD516CCS000B00G

VERSION: 8.0

TOLERANCE : ±0.3mm UNLESS OTHERWISE SPECIFIED

UNIT: mm



SCALE: 1/1

SPECIFICATIONS:

Contact Resistance : 30mΩ max  
 Current Rating : Max 5.0A , 24VDC  
 Insulation Resistance : 100MΩ min. at DC 500V  
 Dielectric Withstand Voltage : AC 500V for one minute  
 Remark: ▲: The Most Important Dimension

For Reference  
 僅供參考

RoHS&SVHC  
 Compliant