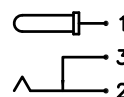
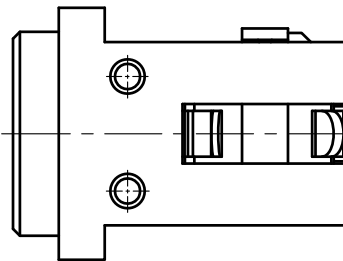
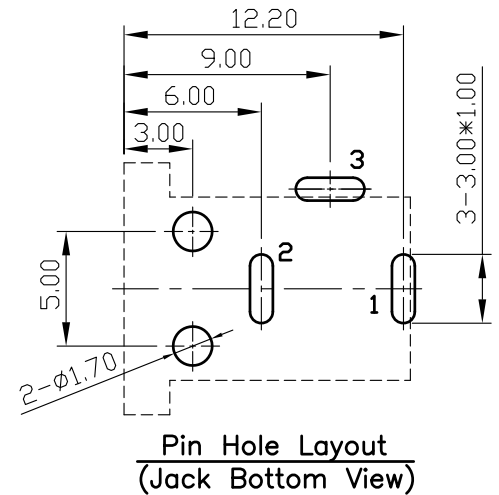
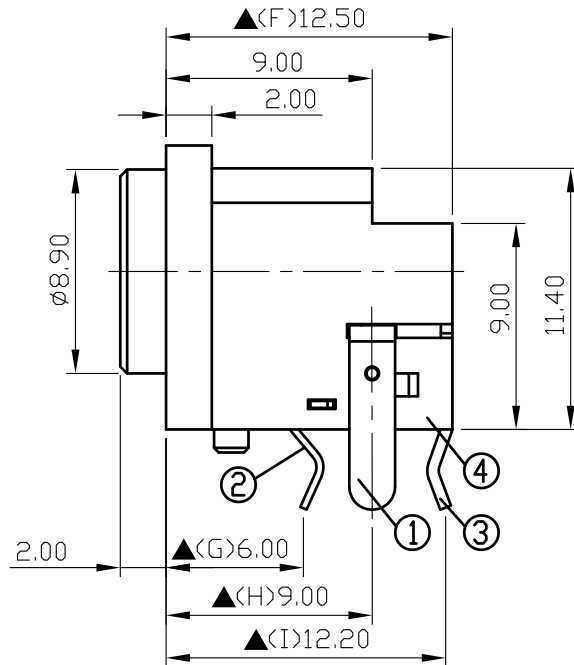
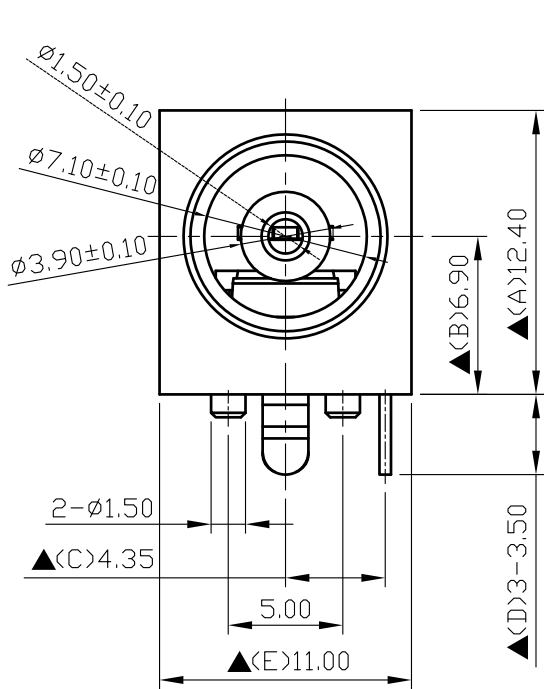


SCHEMATIC	
	MODEL NO C



4.	Housing	PBT+30%	1	Black Color
3.	Break Terminal	0.5T Brass	1	Silver Plated
2.	Ping Spring	0.3T Phosphor Bronze	1	Silver Plated
1.	Pin Terminal	0.5T Brass	1	Silver Plated
NO.	Description	Material	Q'TY	Finish

DATE	DWN	CHKD	APVD	MANAGER
10.08.2021	王平華			

PART NAME : DC POWER JACK	PART NUMBER: SCD461JCS000B00G	VERSION:8.0
---------------------------	-------------------------------	-------------

TOLERANCE : ±0.3mm UNLESS OTHERWISE SPECIFIED	UNIT:mm 	SCALE:1/1
---	---	-----------

For Redference
僅供參考

RoHS&SVHC
Compliant

SPECIFICATIONS:
 Contact Resistance : 30mΩ max
 Current Rating : Max 5.0A ,24V DC
 Insulation Resistance : 100MΩ min. at DC 500V
 Dielectric Withstanding Voltage: AC 500V for one minute
 Remark: ▲ : The Most Important Dimension