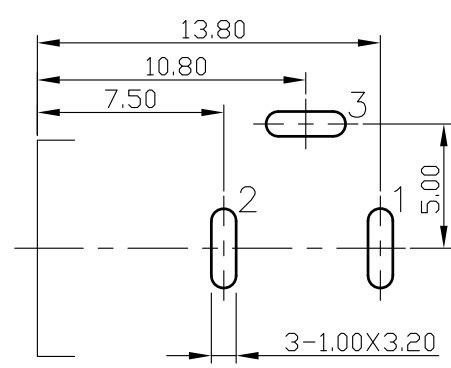
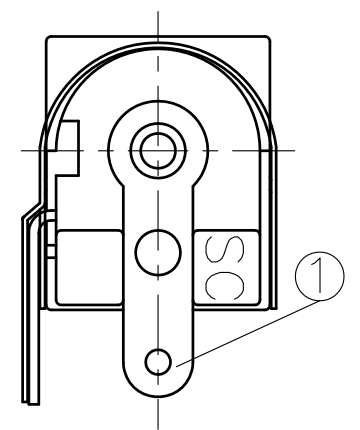
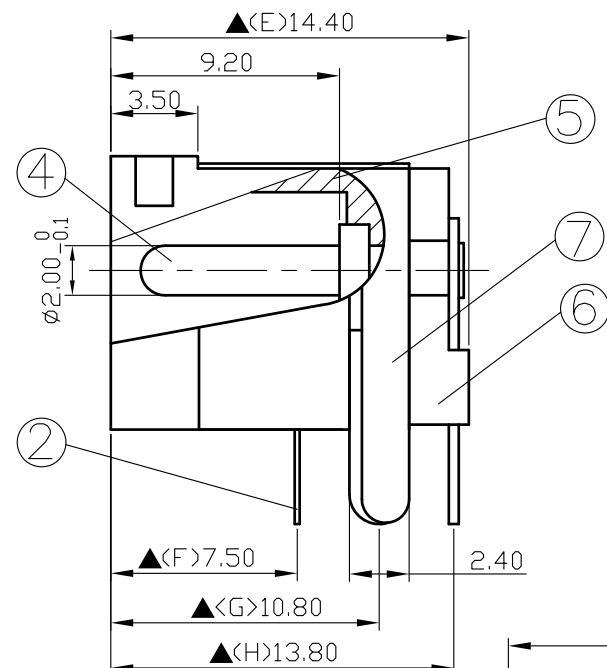
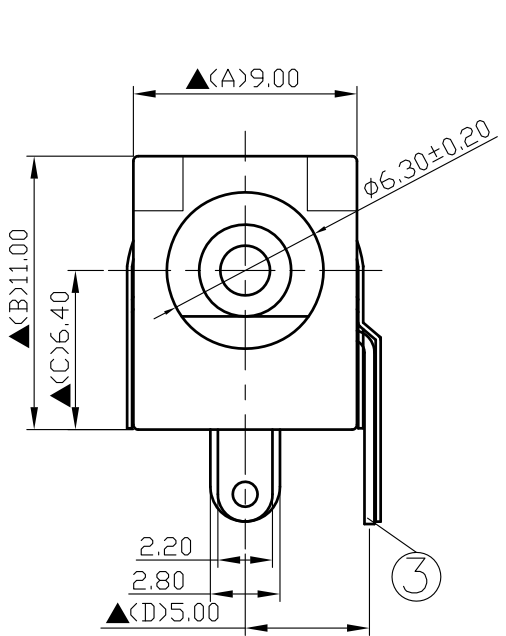


SCHEMATIC	
MODEL NO	C



7.	Panel Ground	0.2T Brass	1	Nickel Plated
6.	Cover	PBT+30%	1	Black Color
5.	Housing	PBT+15%	1	Black Color
4.	Pin(2.0φ)	Brass	1	Nickel Plated
3.	Break Terminal	0.4T Brass	1	Silver Plated
2.	Sleeve Spring	0.2T Phosphor Bronze	1	Silver Plated
1.	Pin Terminal	0.4T Brass	1	Silver Plated
NO.	Description	Material	Q'TY	Finish

**S.C. PRECISION INDUSTRIAL CO., LTD.**  
 DATE: 10.07.2021    DWN: 王平華    CHKD:    APVD:    MANAGER:

PART NAME : DC POWER JACK	PART NUMBER: SCD453CCS031B00G	VERSION: 6.0
TOLERANCE : ±0.3mm UNLESS OTHERWISE SPECIFIED		SCALE: 1/1

Pin Hole Layout  
(Jack Bottom View)

For Redference  
僅供參考

RoHS&SVHC  
Compliant

**SPECIFICATIONS:**  
 Contact Resistance : 30mΩ max  
 Current Rating : Max 5.0A , 24V DC  
 Insulation Resistance : 100MΩ min. at DC 500V  
 Dielectric Withstand Voltage : AC 500V for one minute  
 Remark: ▲: The Most Important Dimension