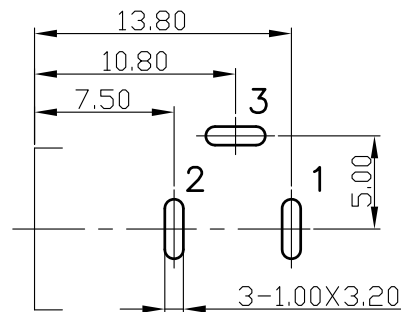
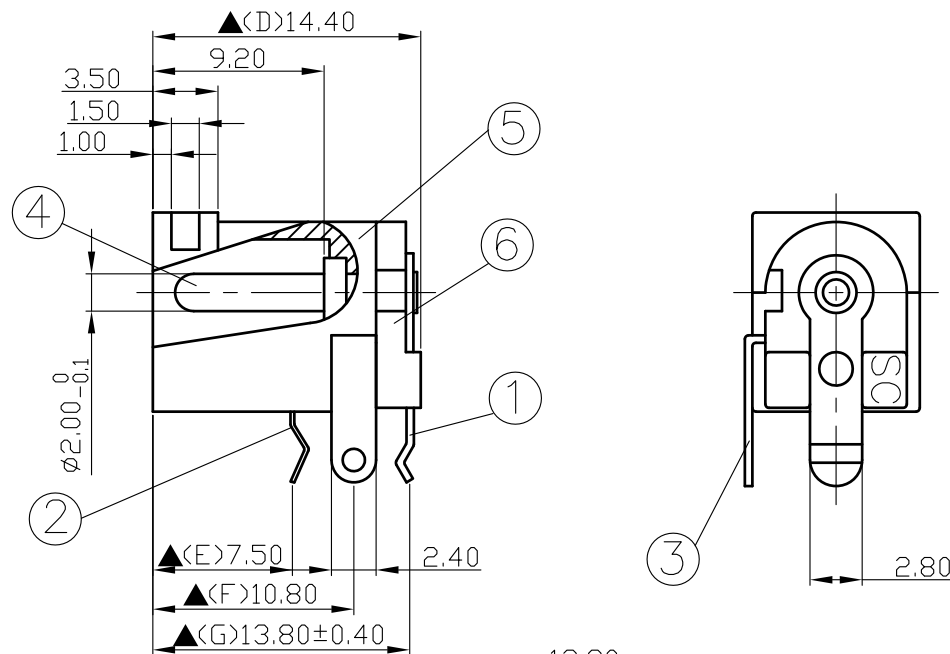
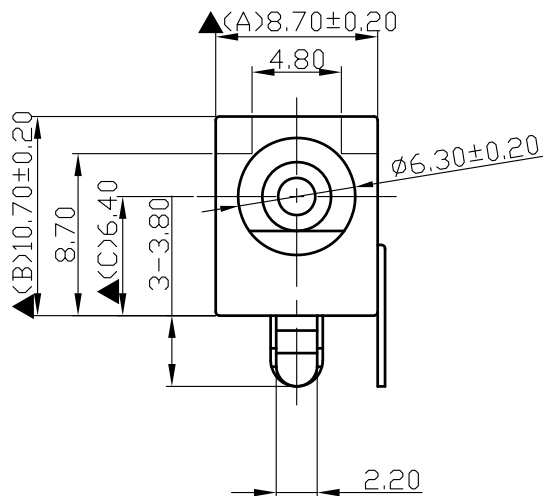


SCHEMATIC	
MODEL NO	C



Pin Hole Layout
(Jack Bottom View)

6.	Cover	PBT+30%	1	Black Color
5.	Housing	PBT+30%	1	Black Color
4.	Pin(2.0φ)	Brass	1	Nickel Plated
3.	Break Terminal	0.4T Brass	1	Silver Plated
2.	Sleeve Spring	0.2T Phosphor Bronze	1	Silver Plated
1.	Pin Terminal	0.4T Brass	1	Silver Plated
NO.	Description	Material	Q'TY	Finish



S.C. PRECISION INDUSTRIAL CO., LTD.

DATE	DWN	CHKD	APVD	MANAGER
09.24.2021	王平華			

For Redference
僅供參考

RoHS&SVHC
Compliant

PART NAME :DC POWER JACK PART NUMBER: SCD438CCS033B00G

VERSION:7.0

TOLERANCE :±0.3mm UNLESS OTHERWISE SPECIFIED

UNIT:mm

SCALE:1/1

SPECIFICATIONS:

Contact Resistance : 30mΩ max
 Current Rating : Max 5.0A , 16V DC
 Insulation Resistance : 100MΩ min. at DC 500V
 Dielectric Withstand Voltage : AC 500V for one minute
 Remark: ▲: The Most Important Dimension