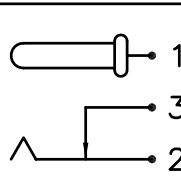
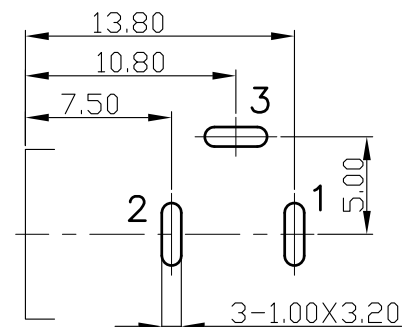
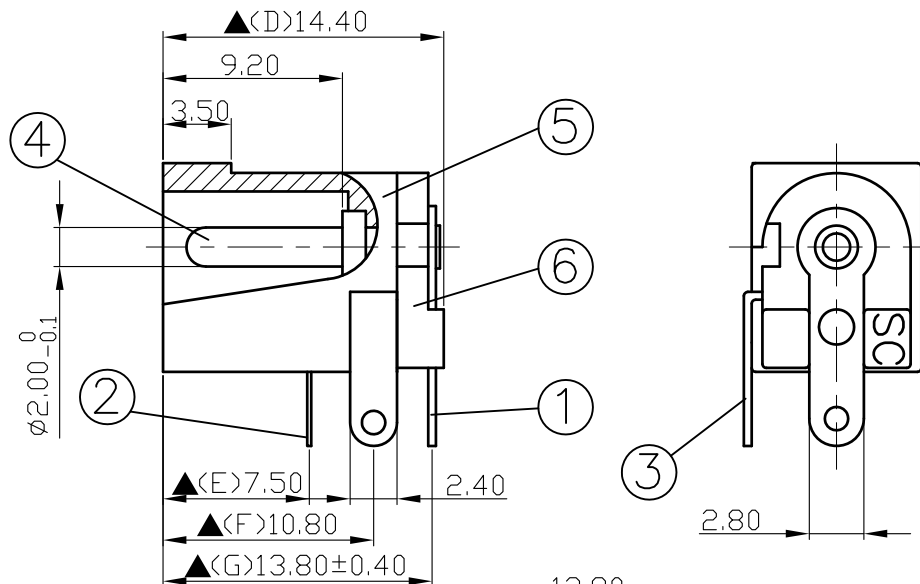
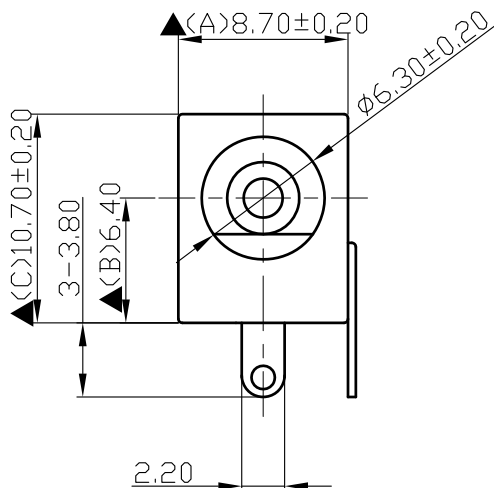


SCHEMATIC	
MODEL NO	C




6.	Cover	PBT+30%	1	Black Color
5.	Housing	PBT+30%	1	Black Color
4.	Pin(2.0φ)	Brass	1	Nickel Plated
3.	Break Terminal	0.4T Brass	1	Silver Plated
2.	Sleeve Spring	0.2T Phosphor Bronze	1	Silver Plated
1.	Pin Terminal	0.4T Brass	1	Silver Plated
NO.	Description	Material	Q'TY	Finish

Pin Hole Layout  
(Jack Bottom View)

For Reference  
僅供參考

RoHS&SVHC  
Compliant

 <b>S.C. PRECISION INDUSTRIAL CO., LTD.</b>	DATE	DWN	CHKD	APVD	MANAGER
	09.24.2021	王平華			

PART NAME :DC POWER JACK	PART NUMBER:SCD438CCS011B00G	VERSION:9.0
--------------------------	------------------------------	-------------

TOLERANCE :±0.3mm UNLESS OTHERWISE SPECIFIED	UNIT:mm 	SCALE:1/1
--	---	-----------

**SPECIFICATIONS:**  
 Contact Resistance : 30mΩ max  
 Current Rating : Max 5.0A , 24V DC  
 Insulation Resistance : 100MΩ min. at DC 500V  
 Dielectric Withstand Voltage : AC 500V for one minute  
 Remark: ▲: The Most Important Dimension