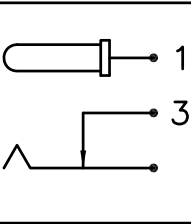
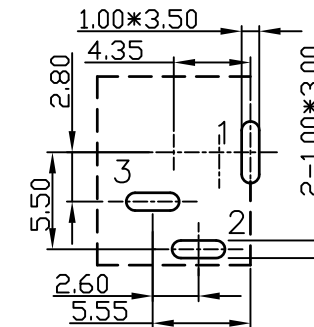
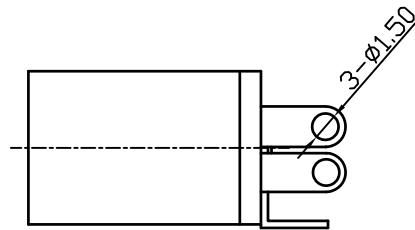
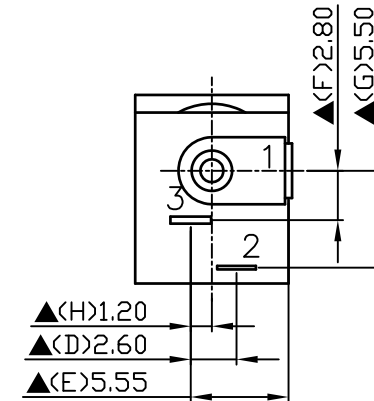
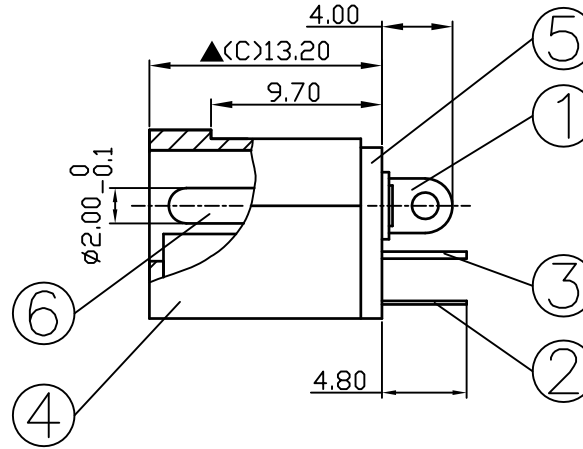
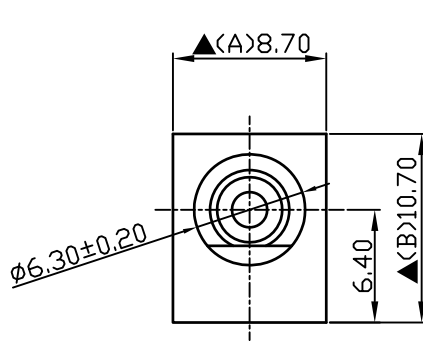
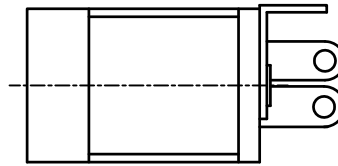


SCHEMATIC	
MODEL NO	C



6.	Pin(2.0φ)	Brass	1	Nickel Plated
5.	Cover	Bakelite	1	Black Color
4.	Housing	PBT+15%	1	Black Color
3.	Break Terminal	0.4T Brass	1	Silver Plated
2.	Sleeve Spring	0.2T Phosphor Bronze	1	Silver Plated
1.	Pin Terminal	0.4T Brass	1	Silver Plated
NO.	Description	Material	Q'TY	Finish

DATE	DWN	CHKD	APVD	MANAGER
09.23.2021	王平華			

 **S.C.PRECISION INDUSTRIAL CO., LTD.**

PART NAME :DC POWER JACK PART NUMBER: SCD435CCS000B00G VERSION:9.0

TOLERANCE :±0.3mm UNLESS OTHERWISE SPECIFIED UNIT:mm  SCALE:1/1

**SPECIFICATIONS:**  
 Contact Resistance : 30mΩ max  
 Current Rating : Max 5.0A , 24V DC  
 Insulation Resistance : 100MΩ min. at DC 500V  
 Dielectric Withstanding Voltage: AC 500V for one minute  
 Remark: ▲ : The Most Important Dimension

For Redference  
 僅供參考  
**RoHS&SVHC  
 Compliant**