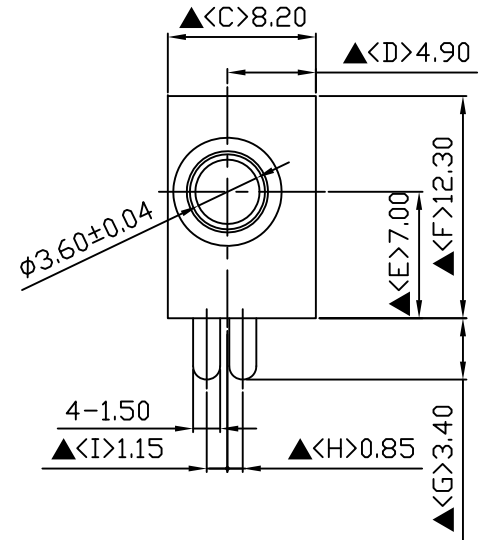
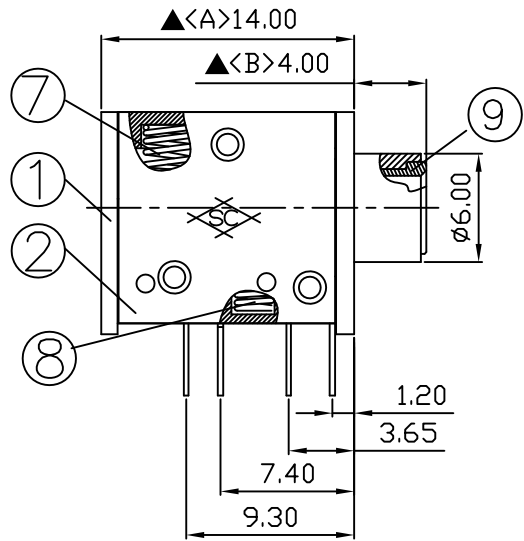
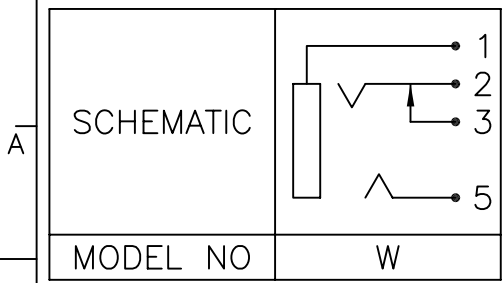
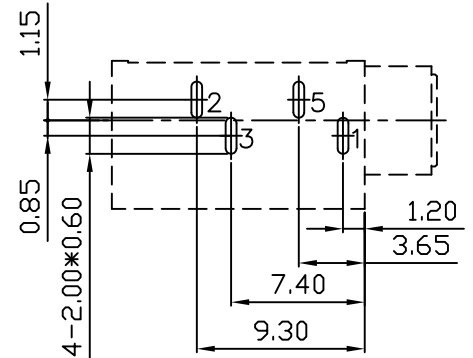
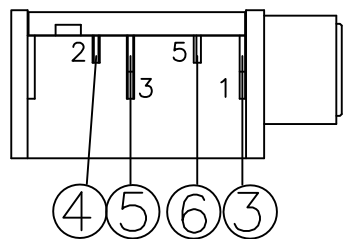


1 2 3 4 5 6 7



B

9.	Barrel	Low Lead Brass Rod	1	Nickel Plated
8.	Spring S	Piano Wire	1	
7.	Spring L	Piano Wire	1	
6.	Tip Spring	0.25T Brass	1	Silver Plated
5.	Shunt Terminal	0.3T Brass	1	Silver Plated
4.	Ring Spring	0.25T Brass	1	Silver Plated
3.	Earth Terminal	0.3T Brass	1	Silver Plated
2.	Cover	PBT+15%	1	Black Color
1.	Housing	PBT+15%	1	Black Color
NO.	Description	Material	Q'TY	Finish



Pin Hole Layout
(Jack Bottom View)

S.C. PRECISION INDUSTRIAL CO., LTD. 旭全	DATE	DWN	CHKD	APVD	MANAGER
	07.12.2021	王平華			

For Redference
僅供參考

RoHS&SVHC
Compliant

PART NAME: 3.5φ PHONE JACK	PART NUMBER: SCJ368RONWSOB00L	VERSION:1.0
TOLERANCE :±0.3mm UNLESS OTHERWISE SPECIFIED	UNIT:mm	SCALE:1/1

SPECIFICATIONS:
 Contact Resistance : 30mΩ max
 Current Rating : Max 5.0A , 24V DC
 Insulation Resistance : 100MΩ min. at DC 500V
 Dielectric Withstand Voltage : AC 500V for one minute
 Remark: ▲ : The Most Important Dimension

1 2 3 4 5 6 7