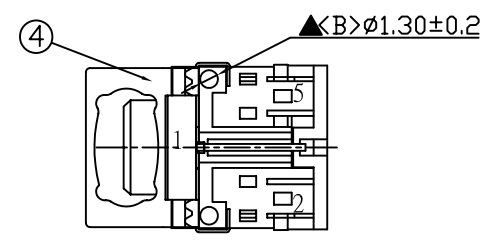
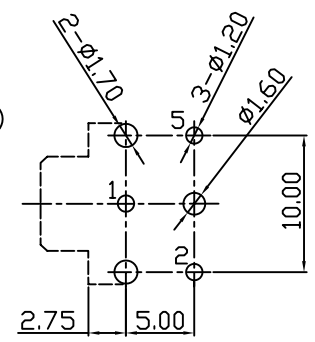
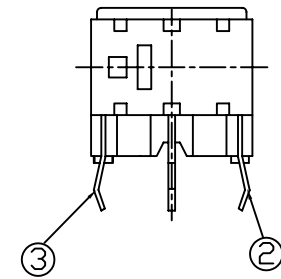
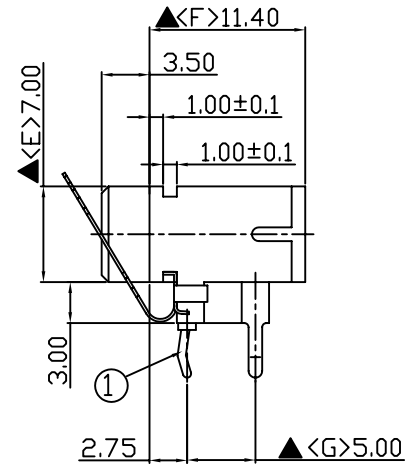
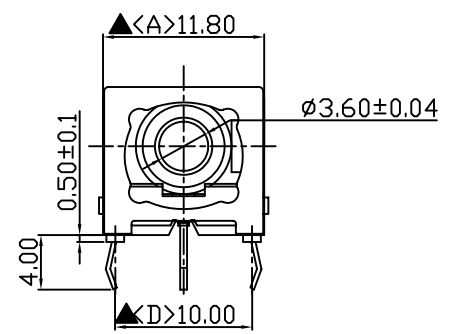
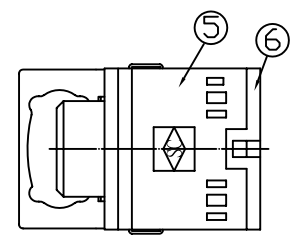


SCHEMATIC	
MODEL NO	X



6.	Cover	PBT	1	701C Pink Color
5.	Housing	PBT	1	701C Pink Color
4.	Panel Ground	0.20T Stainless Steel	1	
3.	Tip Spring	0.25T Phosphor Bronze	1	Silver Plated
2.	Ring Spring	0.30T Phosphor Bronze	1	Silver Plated
1.	Earth Terminal	0.50T Brass	1	Silver Plated
NO.	Description	Material	Q'TY	Finish

S.C.PRECISION INDUSTRIAL CO., LTD. 旭 全	DATE	DWN	CHKD	APVD	MANAGER
	10.10.2011				

PART NAME: 3.5φ PHONE JACK	PART NUMBER: SCJ362P00XS2P04G	VERSION: 5.0
TOLERANCE : ±0.3mm UNLESS OTHERWISE SPECIFIED		SCALE: 1/1

SPECIFICATIONS:
 Contact Resistance : 30mΩ max
 Insulation Resistance : 100MΩ min. at DC 500V
 Dielectric Withstanding Voltage : AC 500V for one minute
 Remark: ▲ The Most Important Dimension

RoHS Compliant For Reference 仅供参考