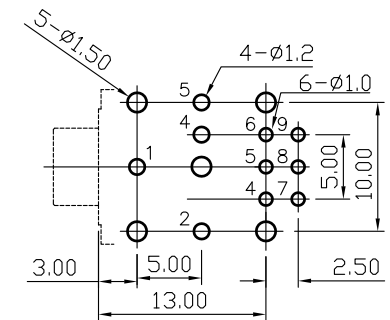
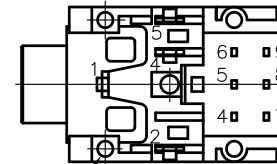


12.	Insulator	PA66+33%	1	Black Color
11.	Sequins	Tin phosphor bronze	2	
10.	Spring	Piano Wire	1	
9.	Switch Pin	0.4T Brass	6	Silver Plated
8.	Back Housing Cover	PA66+33%	1	Transparent
7.	Back Housing	PBT+15%	1	Black Color
6.	Housing	PBT+15%	1	Black Color
5.	Sleeve(Barrel)	Low Lead Brass Rod	1	Nickel Plated
4.	Tip Spring	0.3T YCuT	1	Silver Plated
3.	Break Terminal	0.4T Brass	1	Silver Plated
2.	Ring Spring	0.3T Phosphor Copper	1	Silver Plated
1.	Earth Terminal	0.5T Steel	1	Tin Plated
NO.	Description	Material	Q'TY	Finish



Pin Hole Layout
(Jack Bottom View)

S.C.PRECISION INDUSTRIAL CO., LTD. 旭 全	DATE	DWN	CHKD	APVD	MANAGER
	07.01.2021	王平華			

For Redference
僅供參考

RoHS&SVHC
Compliant

PART NAME :3.5∅ PHONE JACK	PART NUMBER:SCJ358MONVS0B00L	VERSION:1.0
----------------------------	------------------------------	-------------

TOLERANCE :±0.3mm UNLESS OTHERWISE SPECIFIED	UNIT:mm	SCALE:1/1
--	---------	-----------

SPECIFICATIONS:
 Contact Resistance : 30mΩ max
 Insulation Resistance : 100MΩ min. at DC 500V
 Dielectric Withstanding Voltage: AC 500V for one minute
 Remark: ▲: The Most Important Dimension