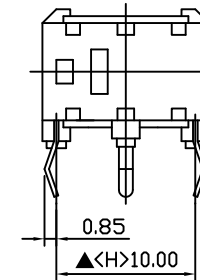
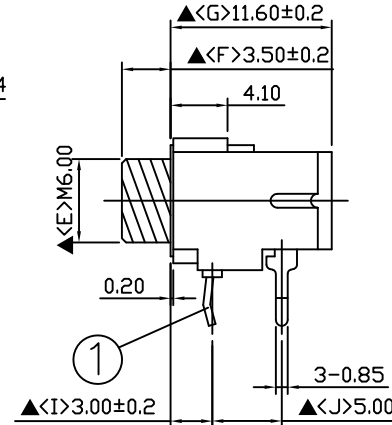
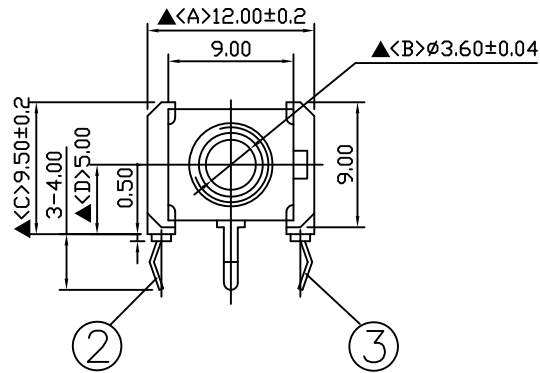
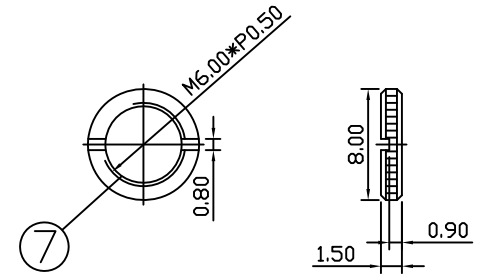
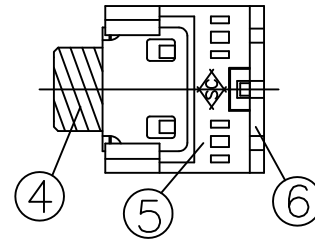
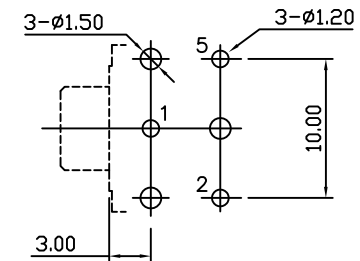
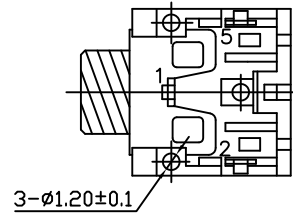


SCHEMATIC	
MODEL NO	X



7.	Nut	Low Lead Brass Rod	1	Nickel Plated
6.	Cover	PBT+15%	1	Black Color
5.	Housing	PBT+15%	1	Black Color
4.	Sleeve(Barrel)	Low Lead Brass Rod	1	Nickel Plated
3.	Tip Spring	0.25T Phosphor Copper	1	Silver Plated
2.	Ring Spring	0.25T Phosphor Copper	1	Silver Plated
1.	Earth Terminal	0.5T Steel	1	Tin Plated
NO.	Description	Material	Q'TY	Finish



Pin Hole Layout
(Jack Bottom View)

S.C. PRECISION INDUSTRIAL CO., LTD. 旭 全	DATE	DWN	CHKD	APVD	MANAGER
	06.25.2021	王平華			

For Redference
僅供參考

RoHS&SVHC
Compliant

PART NAME: 3.5φ PHONE JACK	PART NUMBER: SCJ356M1NXS1B00L	VERSION: 1.0
----------------------------	-------------------------------	--------------

TOLERANCE : ±0.3mm UNLESS OTHERWISE SPECIFIED	UNIT:mm	SCALE: 1/1
---	---------	------------

SPECIFICATIONS:
 Contact Resistance : 30mΩ max
 Insulation Resistance : 100MΩ min. at DC 500V
 Dielectric Withstanding Voltage: AC 500V for one minute
 Remark: ▲ : The Most Important Dimension