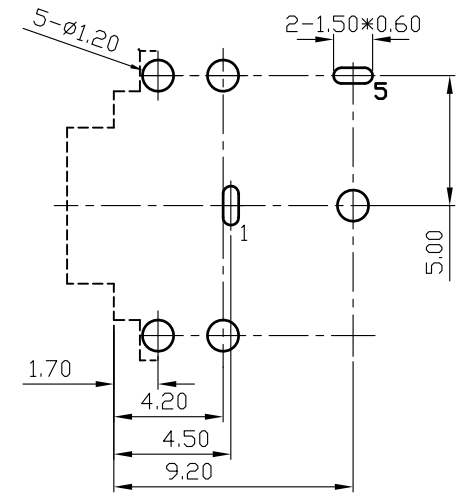
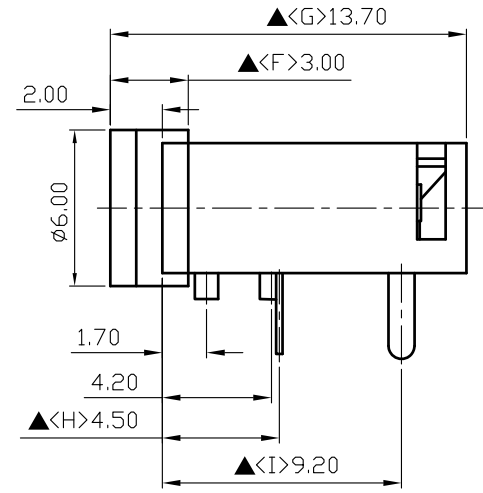
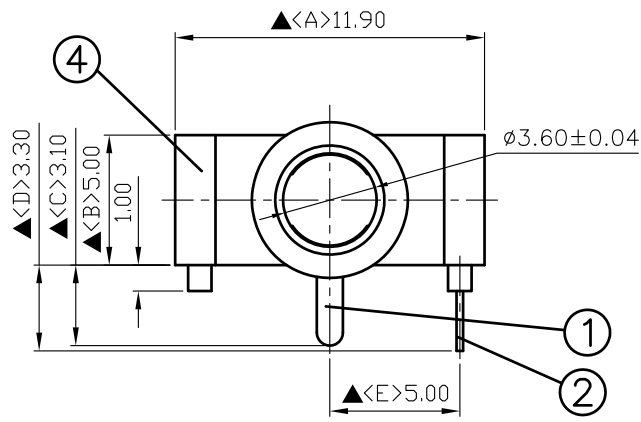
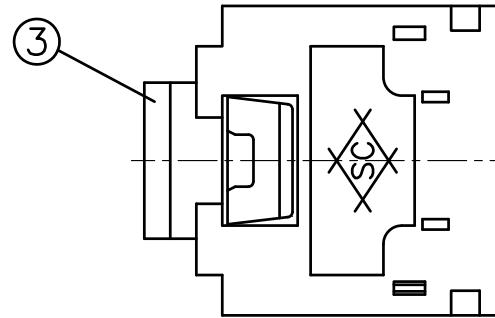


SCHEMATIC	
MODEL NO	Z



4.	Housing	PBT+15%	1	Black Color
3.	Barrel	Low Lead Brass Rod	1	Nickel Plated
2.	Tip Spring	0.25T YcuT	1	Silver Plated
1.	Earth Terminal	0.2T Phosphor Bronze	1	Silver Plated
NO.	Description	Material	Q'TY	Finish

S.C. PRECISION INDUSTRIAL CO., LTD. 旭 全	DATE	DWN	CHKD	APVD	MANAGER
	11.22.2021	王平華			

PART NAME: 3.5ø PHONE JACK	PART NUMBER: SCJ355R1NZS0B00L	VERSION:3.0
TOLERANCE :±0.3mm UNLESS OTHERWISE SPECIFIED	UNIT:mm	SCALE:1/1

SPECIFICATIONS:
 Contact Resistance : 30mΩ max
 Insulation Resistance : 100MΩ min. at DC 500V
 Dielectric Withstanding Voltage: AC 500V for one minute
 Remark: ▲: The Most Important Dimension

For Redference
僅供參考

RoHS&SVHC
Compliant