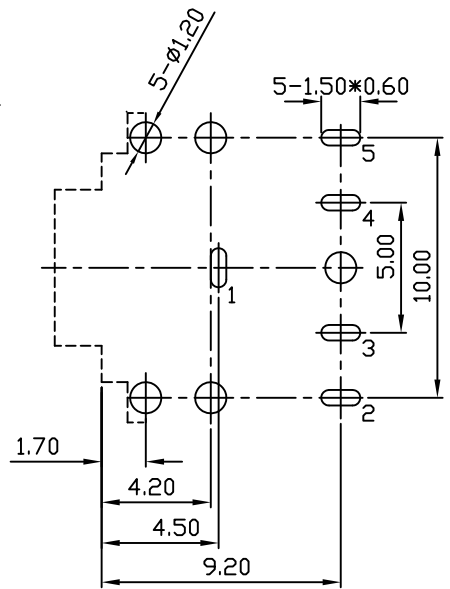
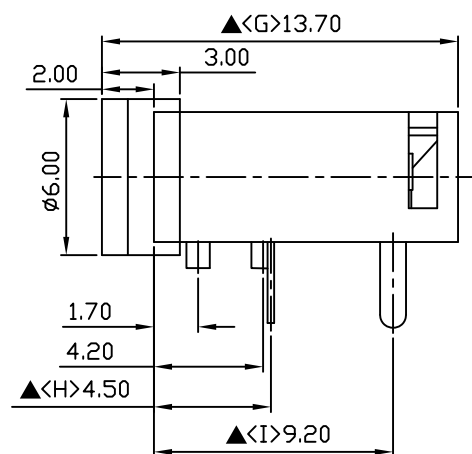
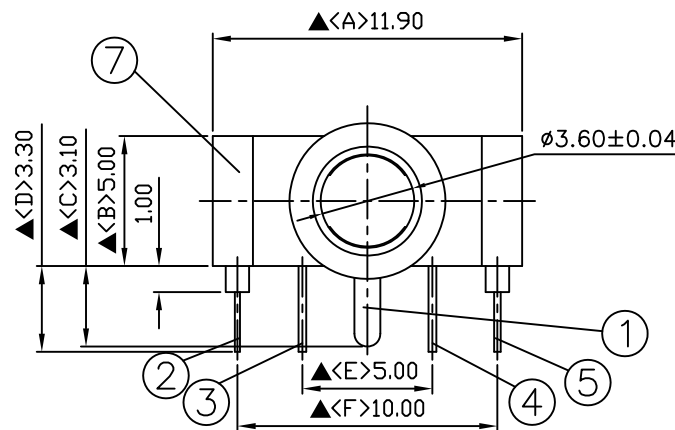
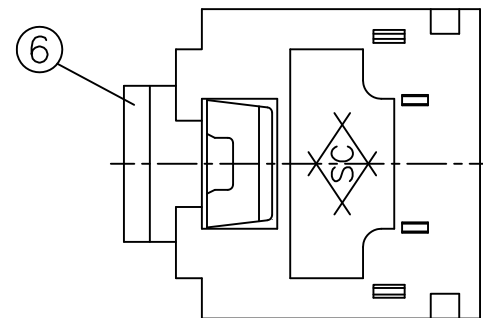


SCHEMATIC	
MODEL NO	U



Pin Hole Layout  
(Jack Bottom View)

7.	Housing	PBT+15%	1	Black Color
6.	Barrel	Low Lead Brass Rod	1	Nickel Plated
5.	Tip Spring	0.25T YcuT	1	Silver Plated
4.	Break Terminal	0.3T Brass	1	Silver Plated
3.	Break Terminal	0.3T Brass	1	Silver Plated
2.	Ring Spring	0.2T YcuT	1	Silver Plated
1.	Earth Terminal	0.2T Phosphor Bronze	1	Silver Plated
NO.	Description	Material	Q'TY	Finish

<b>S.C. PRECISION INDUSTRIAL CO., LTD.</b> 旭全	DATE	DWN	CHKD	APVD	MANAGER
	11.22.2021	王平華			

For Redference  
僅供參考

RoHS&SVHC  
Compliant

PART NAME: 3.5φ PHONE JACK	PART NUMBER: SCJ355R1NUS0B00L	VERSION:3.0
TOLERANCE :±0.3mm UNLESS OTHERWISE SPECIFIED		SCALE:1/1

SPECIFICATIONS:  
 Contact Resistance : 30mΩ max  
 Insulation Resistance : 100MΩ min. at DC 500V  
 Dielectric Withstanding Voltage: AC 500V for one minute  
 Remark: ▲: The Most Important Dimension