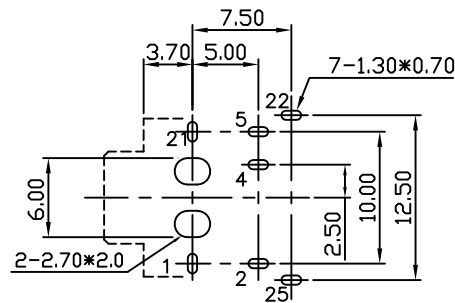


12.	Metal Shell	0.2T Phosphor Copper	1	Silver Plated
11.	Cover	PBT+15%	1	Black Color
10.	Housing	PBT	1	Black Color
9.	Tip Lead(TOP)	0.4T Brass	1	Silver Plated
8.	Tip Spring(TOP)	0.25T Phosphor Copper	1	Silver Plated
7.	Ring Lead(TOP)	0.4T Brass	1	Silver Plated
6.	Ring Spring(TOP)	0.25T Phosphor Copper	1	Silver Plated
5.	Earth Terminal(TOP)	0.4T Phosphor Copper	1	Silver Plated
4.	Tip Spring(DOWN)	0.25T Phosphor Copper	1	Silver Plated
3.	Break Terminal(DOWN)	0.4T Brass	1	Silver Plated
2.	Ring Spring(DOWN)	0.3T Phosphor Copper	1	Silver Plated
1.	Earth Terminal(DOWN)	0.4T Phosphor Copper	1	Silver Plated
NO.	Description	Material	Q'TY	Finish



Pin Hole Layout  
(Jack Bottom View)

For Redderence  
僅供參考

RoHS&SVHC  
Compliant

<b>S.C. PRECISION INDUSTRIAL CO., LTD.</b> 旭全	DATE	DWN	CHKD	APVD	MANAGER
	06.03.2024	王放策			

PART NAME : 3.5φ PHONE JACK	PART NUMBER : SCJ351P00VS0BNSG	VERSION:6.0
-----------------------------	--------------------------------	-------------

TOLERANCE : ±0.3mm UNLESS OTHERWISE SPECIFIED	UNIT:mm	SCALE:1/1
---	---------	-----------

SPECIFICATIONS:  
 Contact Resistance : 30mΩ max  
 Insulation Resistance : 100MΩ min. at DC 500V  
 Dielectric Withstand Voltage : AC 500V for one minute  
 Remark: ▲: The Most Important Dimension