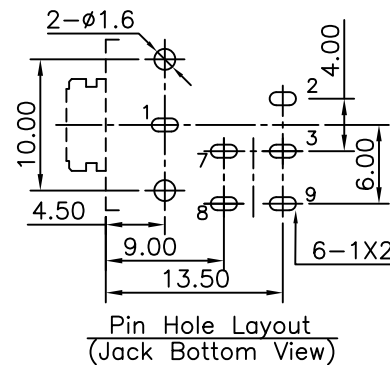
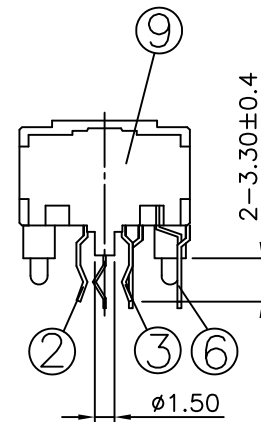
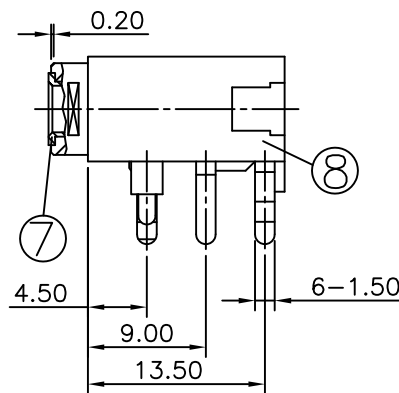
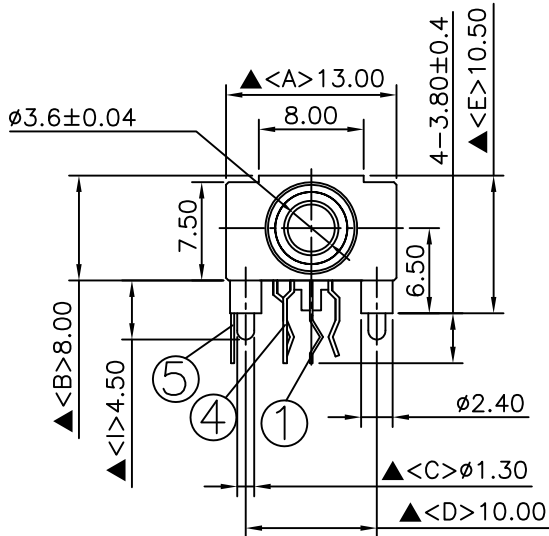
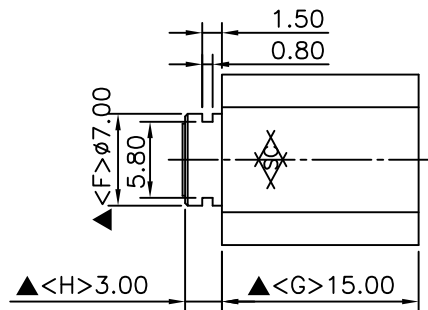


SCHMATIC

MODEL NO F



| | | | | |
|-----|------------------|-----------------------|------|---------------|
| 9. | Cover | POM | 1 | White Color |
| 8. | Housing | PBT+15% | 1 | Black Color |
| 7. | Barrel | Low Lead Brass Rod | 1 | Nickel Plated |
| 6. | Make Terminal | 0.20T Phosphor Bronze | 1 | Silver Plated |
| 5. | Separator Spring | 0.25T Phosphor Bronze | 1 | Silver Plated |
| 4. | Break Terminal | 0.3T Brass | 1 | Silver Plated |
| 3. | Ring Spring | 0.25T Phosphor Bronze | 1 | Silver Plated |
| 2. | Tip Spring | 0.3T Phosphor Bronze | 1 | Silver Plated |
| 1. | Earth Spring | 0.2T Phosphor Bronze | 1 | Silver Plated |
| NO. | Description | Material | Q'TY | Finish |

| | | | | |
|------------|-----|------|------|---------|
| DATE | DWN | CHKD | APVD | MANAGER |
| 12.14.2021 | 王平華 | | | |

| | | | | | |
|---|--|-------------------------------|----------|--------------|--|
| PART NAME : 3.5φ PHONE JACK | | PART NUMBER: SCJ348R0NFS0B00L | | VERSION: 2.0 | |
| TOLERANCE : ±0.3mm UNLESS OTHERWISE SPECIFIED | | | UNIT: mm | SCALE: 1/1 | |

SPECIFICATIONS:
 Contact Resistance : 30mΩ max
 Insulation Resistance : 100MΩ min. at DC 500V
 Dielectric Withstanding Voltage: AC 500V for one minute
 Remark: ▲: The Most Important Dimension

For Redference
 僅供參考
 RoHS&SVHC
 Compliant