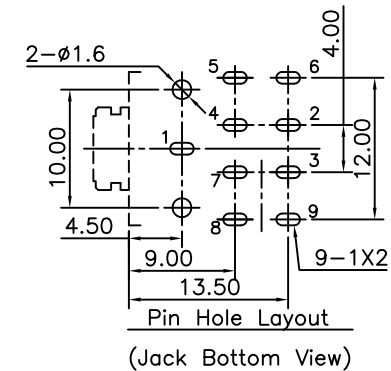
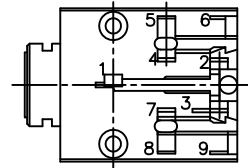
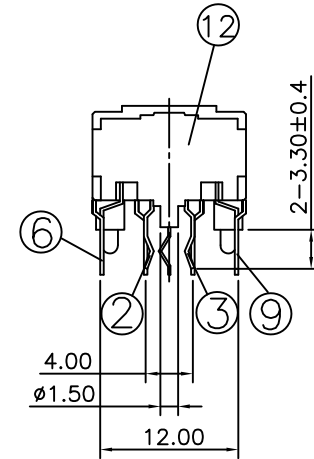
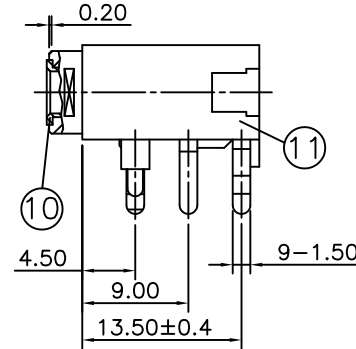
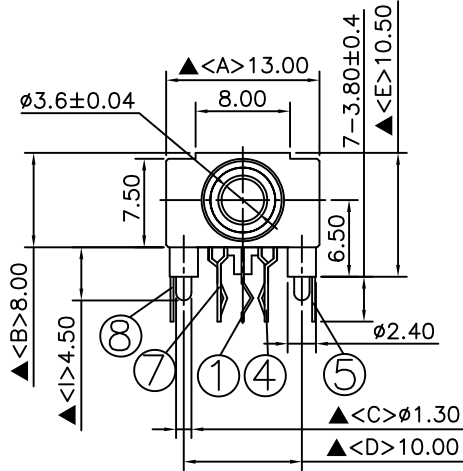
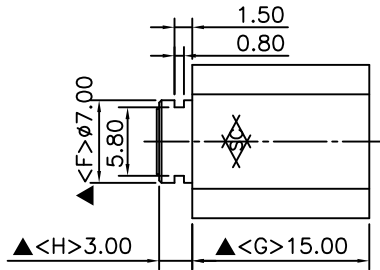


SCHMATIC	
MODEL NO	D



12.	Cover	POM	1	White Color
11.	Housing	PBT+15%	1	Black Color
10.	Barrel	Low Lead Brass Rod	1	Nickel Plated
9.	Make Terminal	0.20T Phosphor Bronze	1	Silver Plated
8.	Separator Spring	0.25T Phosphor Bronze	1	Silver Plated
7.	Break Terminal	0.30T Brass	1	Silver Plated
6.	Make Terminal	0.20T Phosphor Bronze	1	Silver Plated
5.	Separator Spring	0.25T Phosphor Bronze	1	Silver Plated
4.	Break Terminal	0.3T Brass	1	Silver Plated
3.	Ring Spring	0.25T Phosphor Bronze	1	Silver Plated
2.	Tip Spring	0.3T Phosphor Bronze	1	Silver Plated
1.	Earth Spring	0.2T Phosphor Bronze	1	Silver Plated
NO.	Description	Material	Q'TY	Finish

S.C.PRECISION INDUSTRIAL CO., LTD. 旭 全	DATE	DWN	CHKD	APVD	MANAGER
	12.14.2021	王平華			

PART NAME : 3.5φ PHONE JACK	PART NUMBER: SCJ348R0NDS0B00L	VERSION: 1.0
TOLERANCE : ±0.3mm UNLESS OTHERWISE SPECIFIED	UNIT: mm	SCALE: 1/1

SPECIFICATIONS:
 Contact Resistance : 30mΩ max
 Insulation Resistance : 100MΩ min. at DC 500V
 Dielectric Withstanding Voltage: AC 500V for one minute
 Remark: ▲: The Most Important Dimension

For Reference
 僅供參考
 RoHS&SVHC
 Compliant