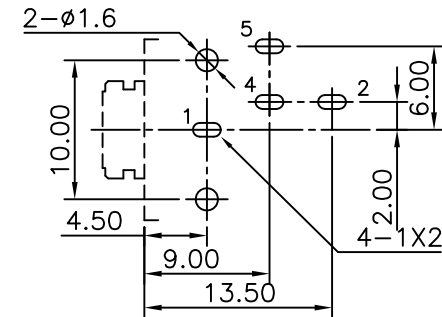
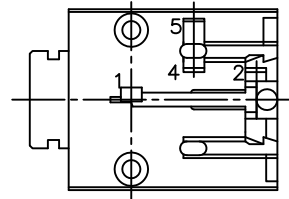
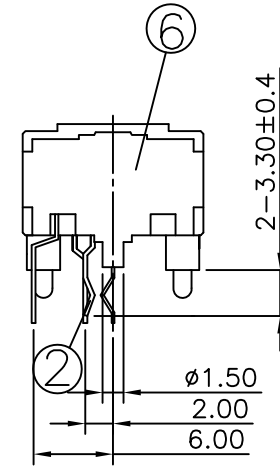
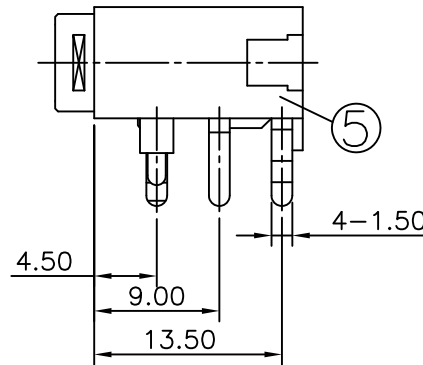
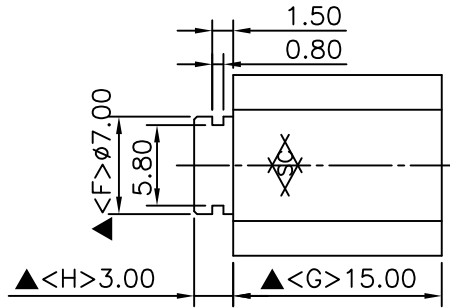
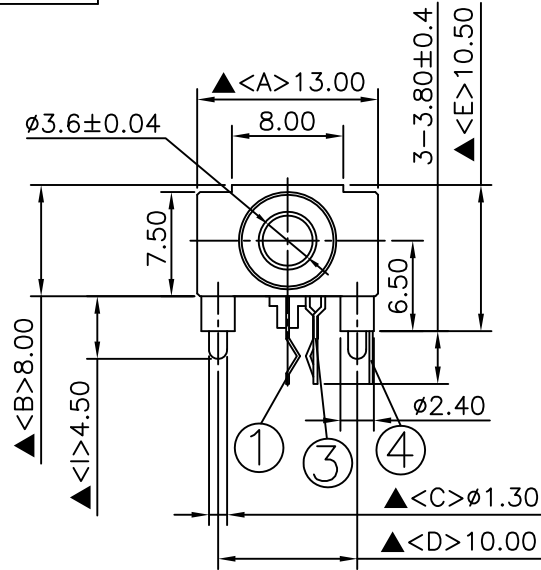



SCHEMATIC	
MODEL NO	G



6.	Cover	POM	1	White Color
5.	Housing	PBT+15%	1	Black Color
4.	Separator Spring	0.25T Phosphor Bronze	1	Silver Plated
3.	Break Terminal	0.3T Brass	1	Silver Plated
2.	Tip Spring	0.3T Phosphor Bronze	1	Silver Plated
1.	Earth Spring	0.2T Phosphor Bronze	1	Silver Plated
NO.	Description	Material	Q'TY	Finish

DATE	DWN	CHKD	APVD	MANAGER
12.14.2021	王平華			

 **S.C. PRECISION INDUSTRIAL CO., LTD.**

PART NAME : 3.5φ PHONE JACK PART NUMBER: SCJ348P00GS0B00G VERSION: 4.0

TOLERANCE : ±0.3mm UNLESS OTHERWISE SPECIFIED UNIT: mm   SCALE: 1/1

SPECIFICATIONS:
 Contact Resistance : 30mΩ max
 Insulation Resistance : 100MΩ min. at DC 500V
 Dielectric Withstanding Voltage: AC 500V for one minute
 Remark: ▲: The Most Important Dimension

For Redference
 僅供參考

RoHS&SVHC
 Compliant