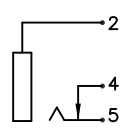
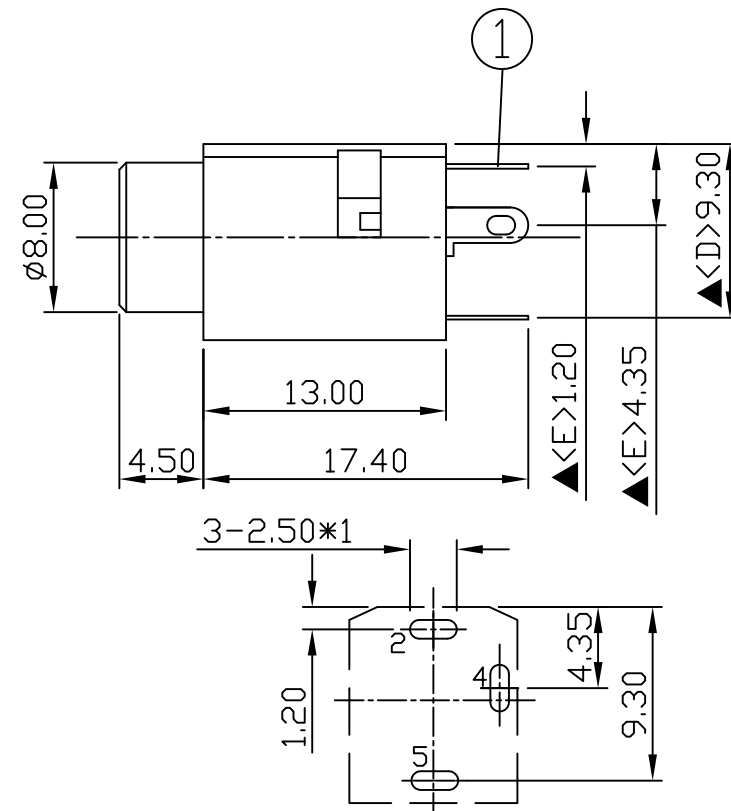
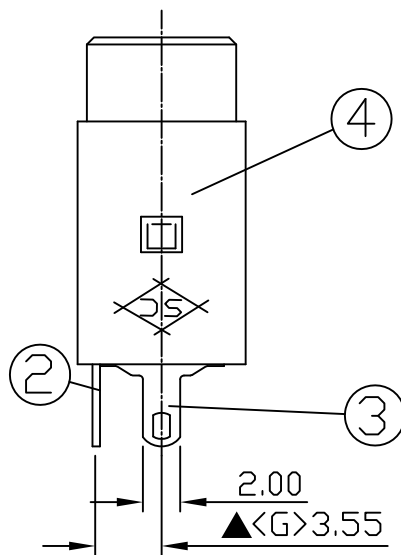
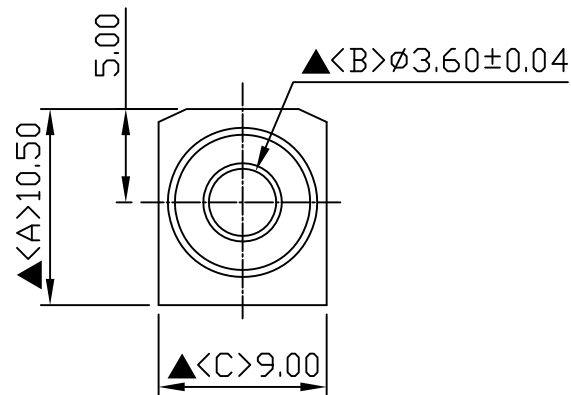



SCHEMATIC	
MODEL NO	Z



Pin Hole Layout
(Jack Bottom View)

4.	Housing	PBT+15%	1	Black Color
3.	Tip Spring	0.2T Phosphor Bronze	1	Silver Plated
2.	Break Terminal	0.4T Brass	1	Silver Plated
1.	Earth Terminal	0.25T Phosphor Bronze	1	Silver Plated
NO.	Description	Material	Q'TY	Finish

 S.C.PRECISION INDUSTRIAL CO., LTD. 旭 全	DATE	DWN	CHKD	APVD	MANAGER
	07.15.2021	王平華			

PART NAME : 3.5 ϕ PHONE JACK	PART NUMBER : SCJ330P00ZS0B00G	VERSION: 4.0
TOLERANCE : ± 0.3 mm UNLESS OTHERWISE SPECIFIED	UNIT: mm 	SCALE: 1/1

For Redference
僅供參考

RoHS&SVHC
Compliant

SPECIFICATIONS:
 Contact Resistance : 30m Ω max
 Insulation Resistance : 100M Ω min. at DC 500V
 Dielectric Withstanding Voltage: AC 500V for one minute
 Remark: ▲: The Most Important Dimension