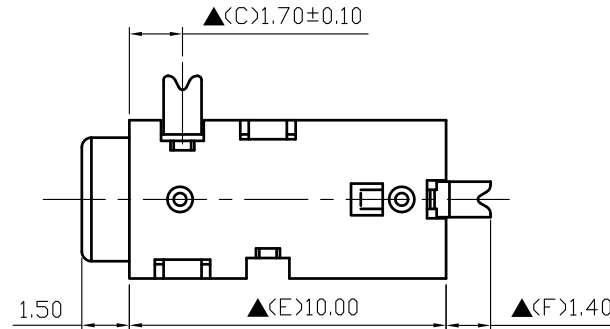
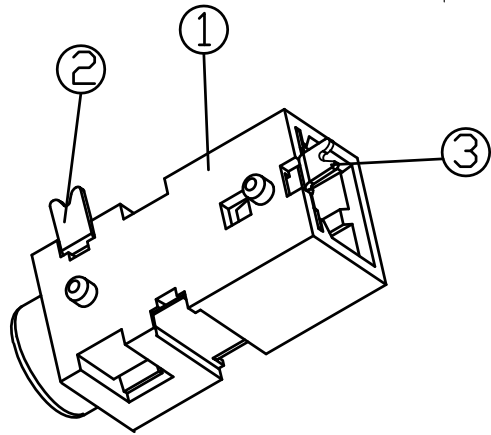
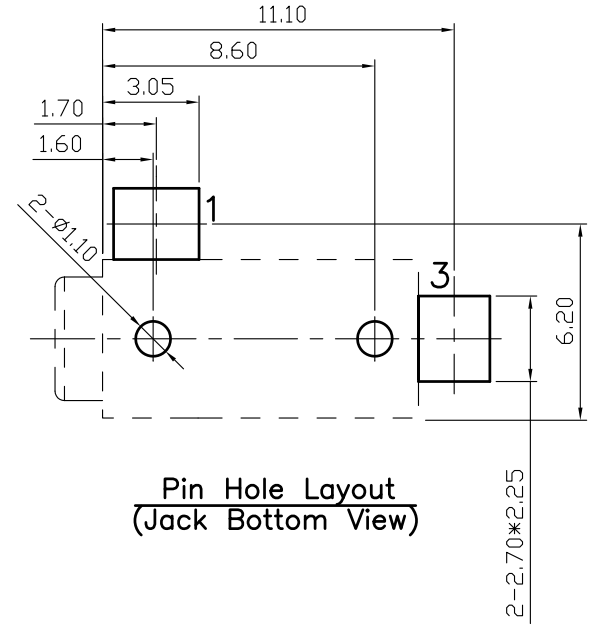
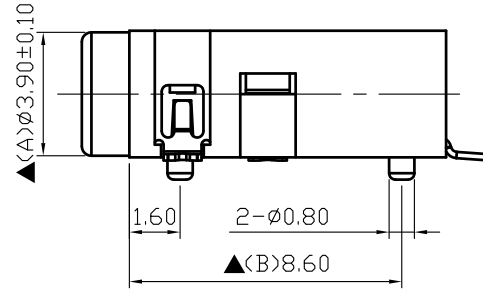
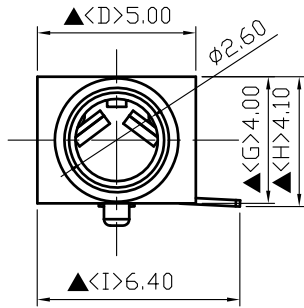


SCHEMATIC	
MODEL NO	Z



3	Tip Spring	0.2T	Phosphor Copper	1	Gold Plated
2.	Earth Terminal	0.2T	Phosphor Copper	1	Gold Plated
1.	Housing	PA9T		1	Black Color
NO.	Description		Material	Q'TY	Finish



S.C. PRECISION INDUSTRIAL CO., LTD.

DATE	DWN	CHKD	APVD	MANAGER
09.15.2021	王平華			

For Redference  
僅供參考

RoHS&SVHC  
Pb Free Process

PART NAME : 2.5φ PHONE JACK

PART NUMBER: SCJ234P00ZG0B00G

VERSION:5.0

SPECIFICATIONS:  
 Contact Resistance : 30mΩ max  
 Insulation Resistance : 100MΩ min. at DC 500V  
 Dielectric Withstanding Voltage: AC 500V for one minute  
 Remark: ▲: The Most Important Dimension

TOLERANCE : ±0.3mm UNLESS OTHERWISE SPECIFIED

UNIT:mm

SCALE:1/1