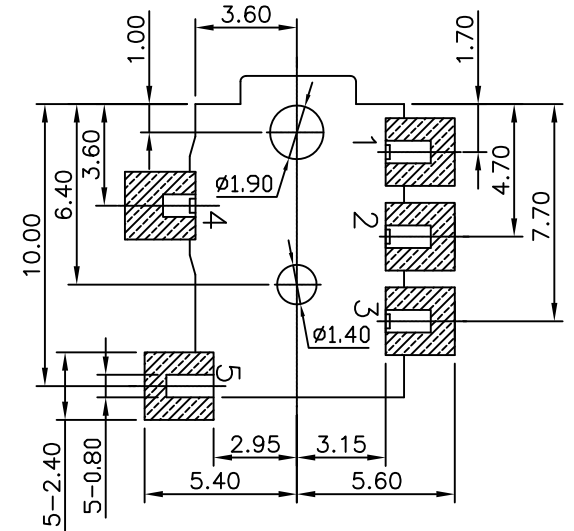
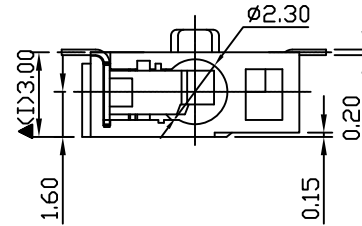
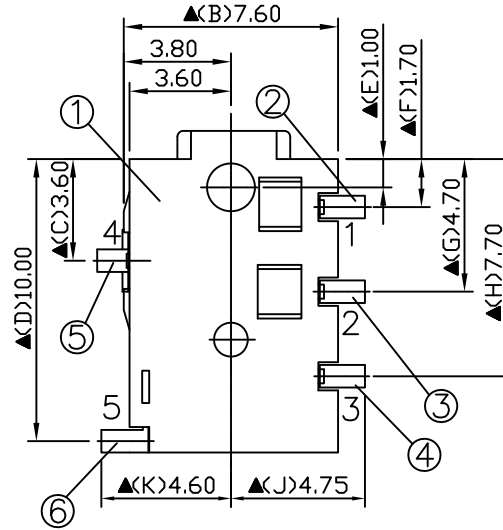
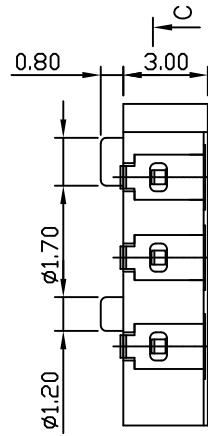


SEC: C-C



Pin Hole Layout
(Jack Bottom View)

6.	Terminal NO.5	0.2T YCuT	1	Gold Plated
5.	Terminal NO.4	0.3T Brass	1	Gold Plated
4.	Terminal NO.3	0.2T Phosphor Bronze	1	Gold Plated
3.	Terminal NO.2	0.2T YCuT	1	Gold Plated
2.	Terminal NO.1	0.2T YCuT	1	Gold Plated
1.	Housing	PA9T	1	Black Color
NO.	Description	Material	Q'TY	Finish

S.C. PRECISION INDUSTRIAL CO., LTD.	DATE	DWN	CHKD	APVD	MANAGER
	09.15.2021	王平華			

PART NAME : 2.5φ PHONE JACK	PART NUMBER: SCJ230P00UGOB00G	VERSION: 4.0
TOLERANCE : ±0.3mm UNLESS OTHERWISE SPECIFIED	UNIT: mm	SCALE: /

For Redference
僅供參考

RoHS&SVHC
Pb Free Process

SPECIFICATIONS:
 Contact Resistance : 30mΩ max
 Insulation Resistance : 100MΩ min. at DC 500V
 Dielectric Withstand Voltage : AC 500V for one minute
 Remark: ▲: The Most Important Dimension