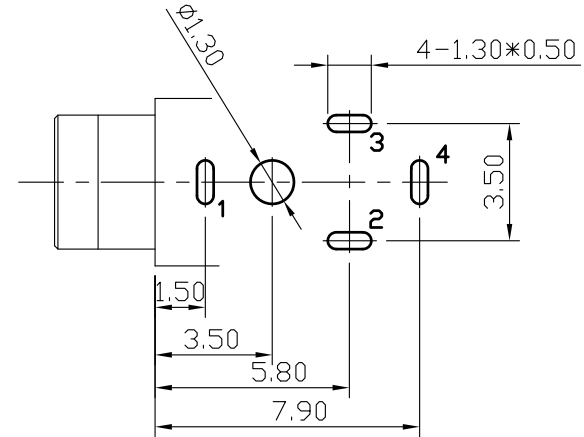
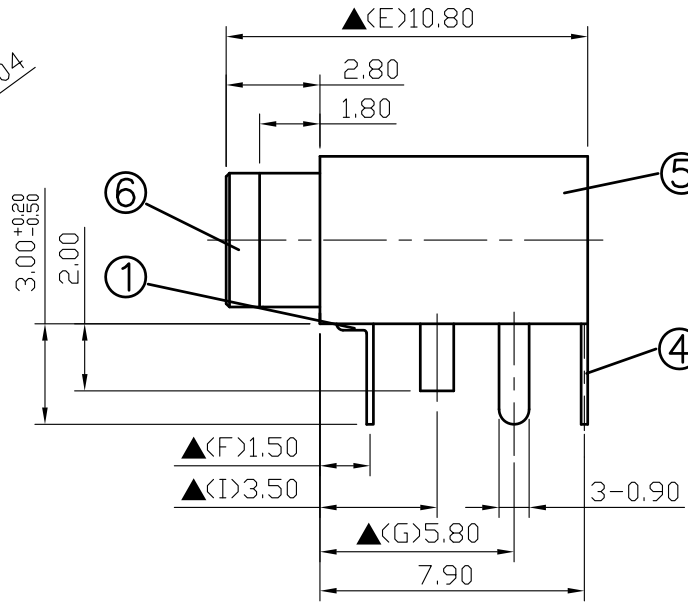
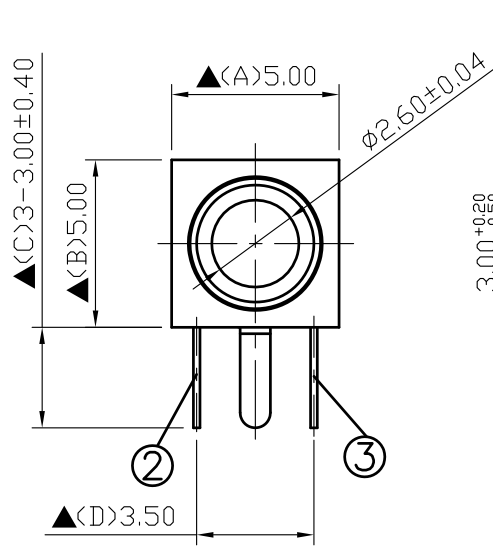
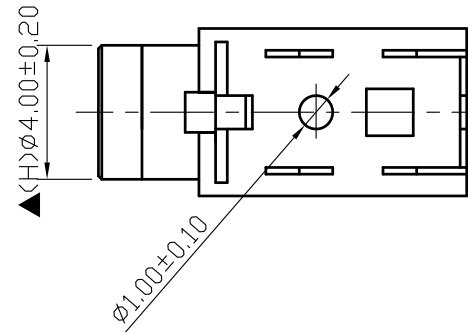


SCHEMATIC	
MODEL NO	I



Pin Hole Layout  
(Jack Bottom View)



6.	Bushing	Low Lead Brass Rod	1	Nickel Plated
5.	Housing	PBT	1	Black Color
4.	Ring Spring	0.2T Phosphor Bronze	1	Silver Plated
3.	Tip Spring	0.2T Phosphor Bronze	1	Silver Plated
2.	Tip Spring	0.2T Phosphor Bronze	1	Silver Plated
1.	Earth Terminal	0.2T Phosphor Bronze	1	Silver Plated
NO.	Description	Material	Q'TY	Finish

DATE	DWN	CHKD	APVD	MANAGER
06.30.2021	王平華			

PART NAME: 2.5φ PHONE JACK

PART NUMBER : SCJ225R2NIS0B00L

VERSION:3.0

TOLERANCE :±0.3mm UNLESS OTHERWISE SPECIFIED

UNIT:mm

SCALE:/

SPECIFICATIONS:

Contact Resistance : 30mΩ max  
 Insulation Resistance : 100MΩ min. at DC 500V  
 Dielectric Withstand Voltage : AC 500V for one minute  
 Remark: ▲: The Most Important Dimension

For Redference  
僅供參考

RoHS&SVHC  
Compliant



S.C.PRECISION INDUSTRIAL CO., LTD.