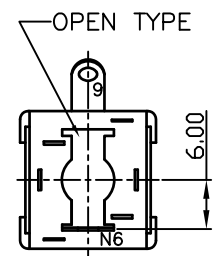
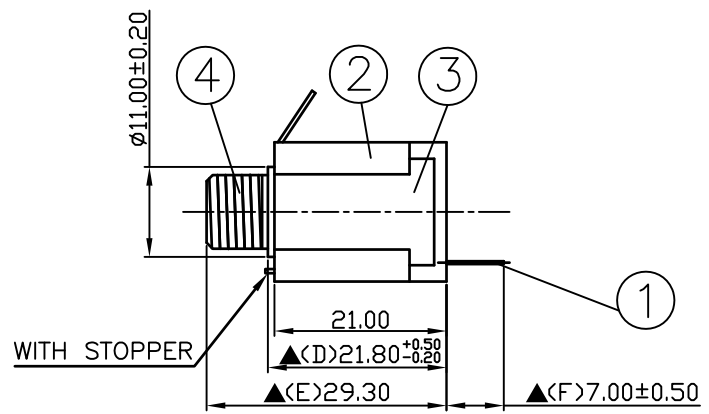
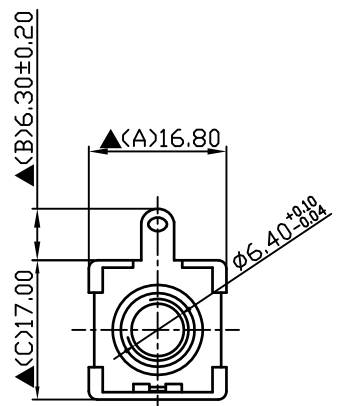
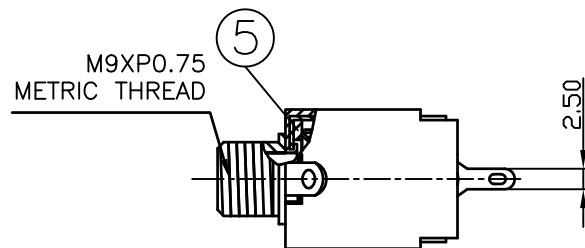
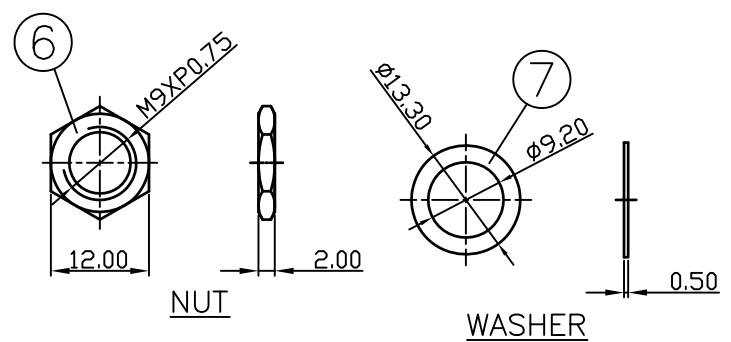


SCHMATIC	
MODEL NO	I



7.	Washer	0.5T Steel	1	Nickel Plated
6.	Nut	2.0T Steel	1	Nickel Plated
5.	Insulator	Red Vulcanited Fibre	1	Red Color
4.	Barrel(W/Thread)	Low Lead Brass Rod	1	Nickel Plated
3.	Cover	0.5T Steel	1	Nickel Plated
2.	Housing	POM	1	Black Color
1.	Tip Spring	0.35T Phosphor Bronze	1	Silver Plated
NO.	Description	Material	Q'TY	Finish



S.C. PRECISION INDUSTRIAL CO., LTD. 旭全	DATE	DWN	CHKD	APVD	MANAGER
	01.05.2022	王平華			

For Redference
僅供參考

RoHS&SVHC
Compliant

PART NAME : 6.3φ PHONE JACK	PART NUMBER: SCJ614M2NIS3B12L	VERSION: 1.0
-----------------------------	-------------------------------	--------------

TOLERANCE : ±0.3mm UNLESS OTHERWISE SPECIFIED	UNIT: mm	SCALE: 1/1
---	----------	------------

SPECIFICATIONS:
 Contact Resistance : 30mΩ max
 Insulation Resistance : 100MΩ min. at DC 500V
 Dielectric Withstanding Voltage: AC 500V for one minute
 Remark: ▲: The Most Important Dimension