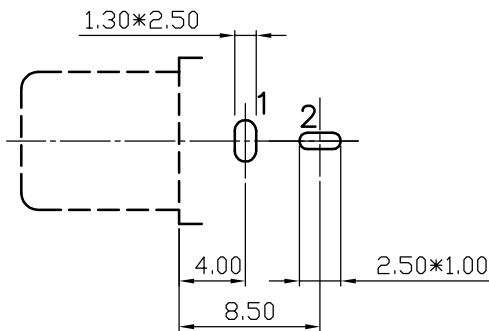
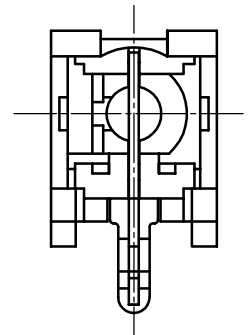
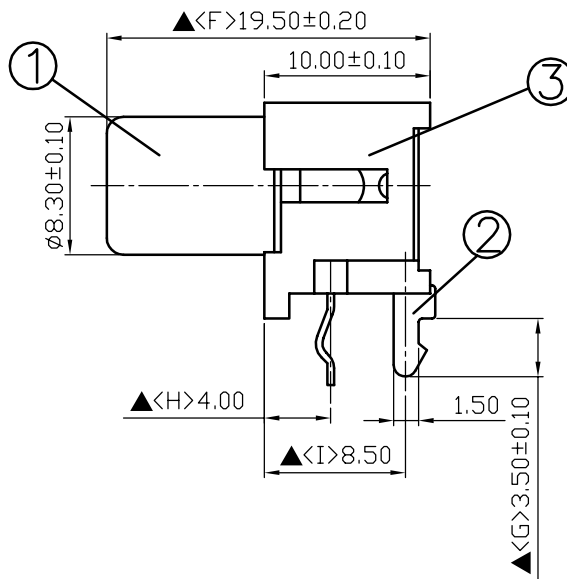
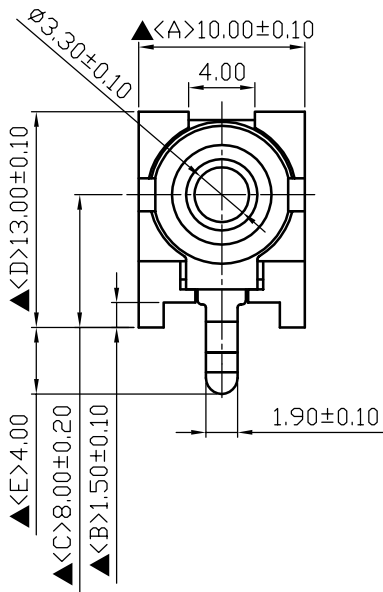
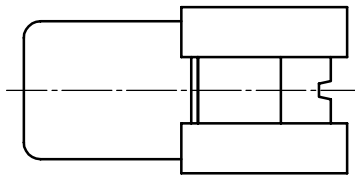


SCHEMATIC	
MODEL NO	U



Pin Hole Layout
(Jack Bottom View)

3.	Housing	PBT	1	Black Color
2.	Pin	0.6T Brass	1	Silver Plated
1.	Earth Terminal	0.4T Brass	1	Nickel Plated
NO.	Description	Material	Q'TY	Finish

RoHS
Compliant

For Reference
僅供參考

SPECIFICATIONS:
 Contact Resistance : 30mΩ max
 Insulation Resistance : 100MΩ min. at DC 500V
 Dielectric Withstanding Voltage: AC 500V for one minute
 Remark: ▲: The Most Important Dimension



S.C. PRECISION INDUSTRIAL CO., LTD.

DATE	DWN	CHKD	APVD	MANAGER
08.11.2006				

PART NAME : PIN JACK		PART NUMBER: SCP624UNS100000G		VERSION:2.0
TOLERANCE :±0.3mm UNLESS OTHERWISE SPECIFIED			UNIT:mm	SCALE:1/1