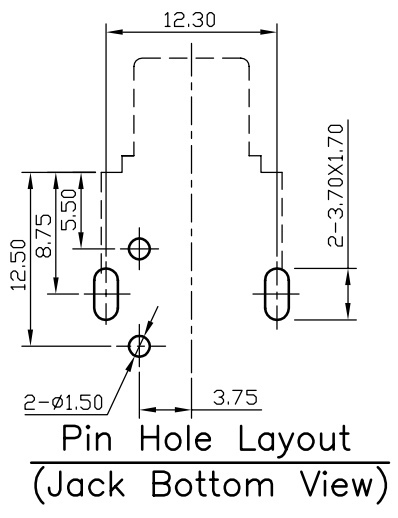
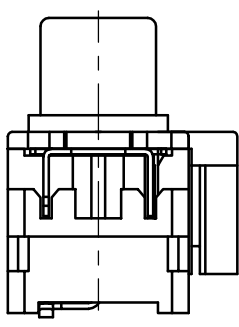
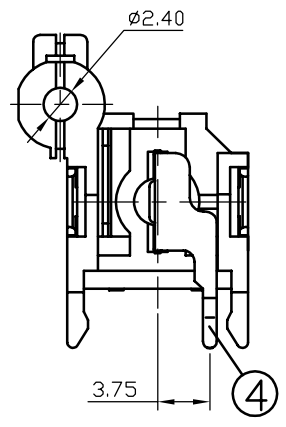
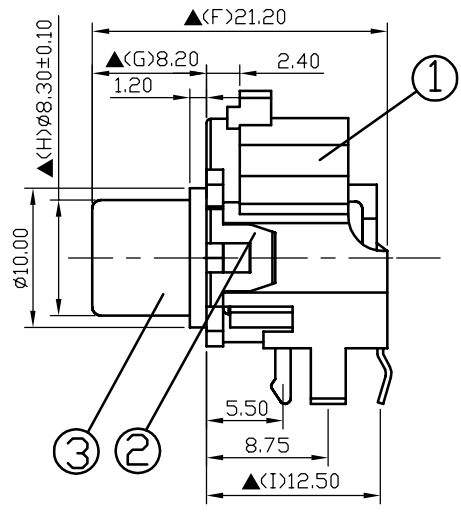
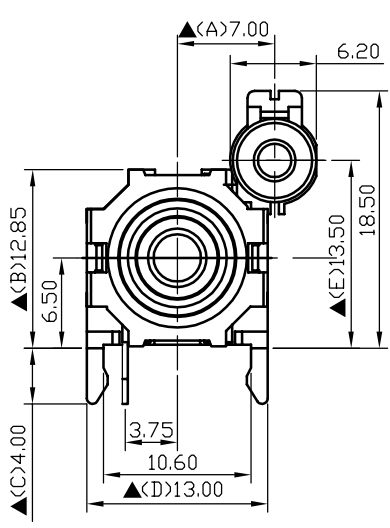


SCHEMATIC	
MODEL NO	U



4.	Terminal	0.4T Bronze	1	Silver Plated
3.	Outer Contact	0.4T Bronze	1	Nickel Plated
2.	Cover	ABS	1	Black Color
1.	Housing	ABS	1	Black Color
NO.	Description	Material	Q'TY	Finish

RoHS Compliant For Reference 僅供參考

SPECIFICATIONS:  
 Contact Resistance : 30mΩ max  
 Insulation Resistance : 100MΩ min. at DC 500V  
 Dielectric Withstand Voltage : AC 500V for one minute  
 Remark: ▲ : The Most Important Dimension

<b>S.C.PRECISION INDUSTRIAL CO., LTD.</b>		DATE	DWN	CHKD	APVD	MANAGER
		09.05.2006				
PART NAME : PIN JACK			PART NUMBER: SCP617UNS100000G			VERSION:2.0
TOLERANCE :±0.3mm UNLESS OTHERWISE SPECIFIED				UNIT:mm		SCALE:1/1