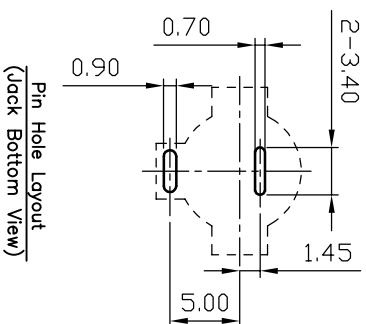
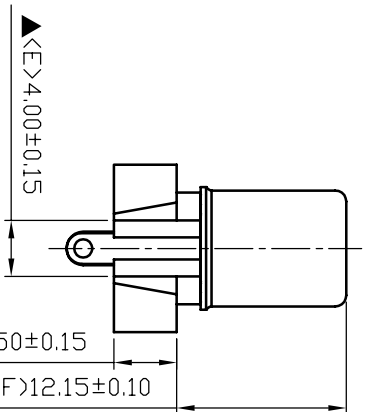
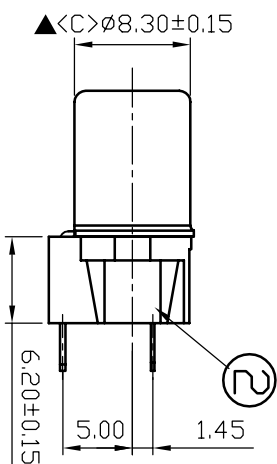
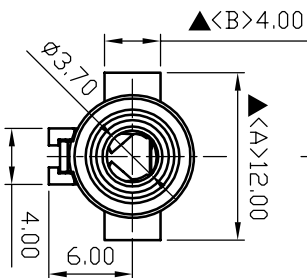
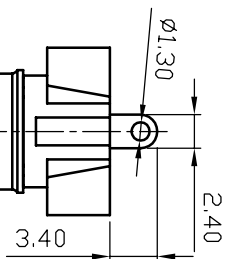
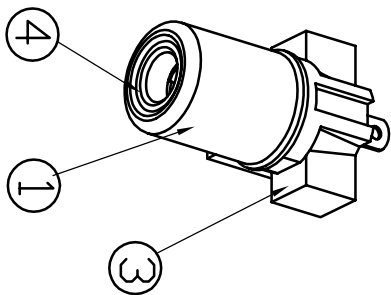


SCHEMATIC	
MODEL NO	U



NO.	Description	Material	Q'TY	Finish
4.	Insulator	PBT	1	Black Color
3.	Housing	PA66+30%G	1	Black Color
2.	Pin	0.25T Brass	1	Silver Plated
1.	Earth Terminal	0.4T Brass	1	Nickel Plated



S.C. PRECISION INDUSTRIAL CO., LTD.

DATE	DWN	CHKD	APVD	MANAGER
09.25.2007				

PART NAME: PIN JACK

PART NUMBER: SCP609UNS100000G

VERSION: 1.0

TOLERANCE: ±0.3mm UNLESS OTHERWISE SPECIFIED

UNIT: mm



SCALE: 1/1

SPECIFICATIONS:

Contact Resistance : 30mΩ max  
 Insulation Resistance : 10dMΩ min. at DC 500V  
 Dielectric Withstanding Voltage: AC 500V for one minute  
 Remark: ▲: The Most Important Dimension

RoHS  
Pb Free Process

For Reference  
僅供參考