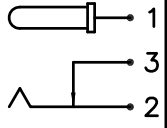
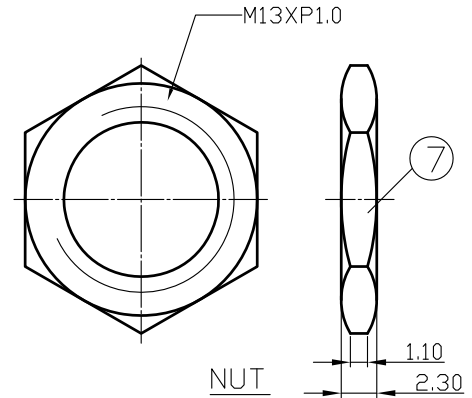
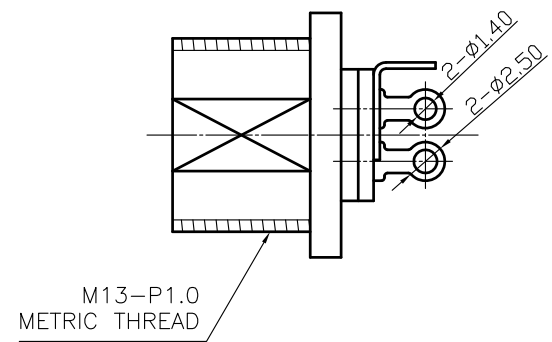
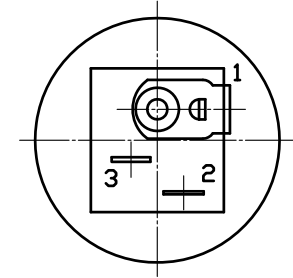
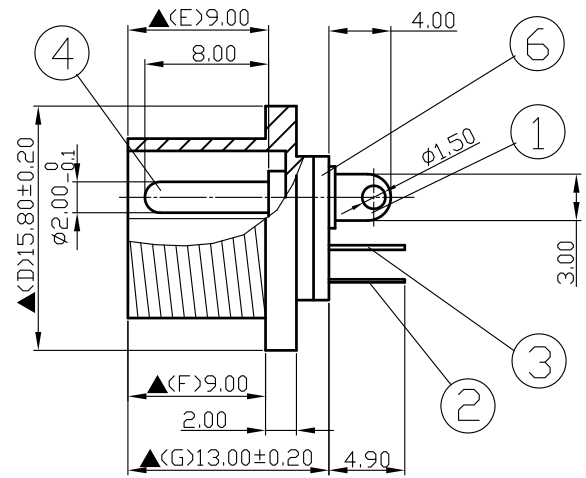
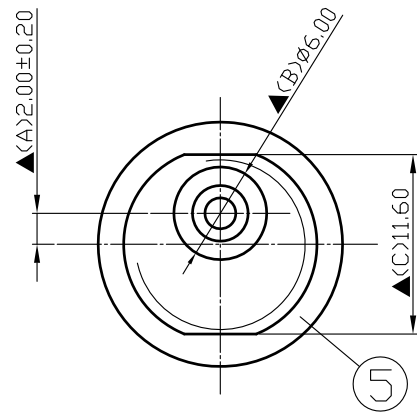



SCHEMATIC	
MODEL NO	C



7.	Nut	Low Lead Brass Rod	1	Nickel Plated
6.	Insulator	1.0T Bakelite	1	Natural
5.	Housing	PBT+30%	1	Black
4.	Pin(2.0φ)	Brass	1	Nickel Plated
3.	Break Terminal	0.3T Brass	1	Silver Plated
2.	Sleeve Spring	0.2T Phosphor Bronze	1	Silver Plated
1.	Pin Terminal	0.4T Brass	1	Silver Plated
NO.	Description	Material	Q'TY	Finish

 <b>S.C. PRECISION INDUSTRIAL CO., LTD.</b> 旭全	DATE	DWN	CHKD	APVD	MANAGER
	10.12.2021	王平華			

For Redference  
僅供參考

RoHS&SVHC  
Compliant

PART NAME :DC POWER JACK	PART NUMBER:SCD522CCS100B02L	VERSION:2.0
TOLERANCE :±0.3mm UNLESS OTHERWISE SPECIFIED		SCALE:1/1

**SPECIFICATIONS:**  
 Contact Resistance : 30mΩ max  
 Current Rating : Max 5.0A , 24VDC  
 Insulation Resistance : 100MΩ min. at DC 500V  
 Dielectric Withstanding Voltage: AC 500V for one minute  
 Remark: ▲ : The Most Important Dimension