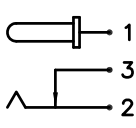
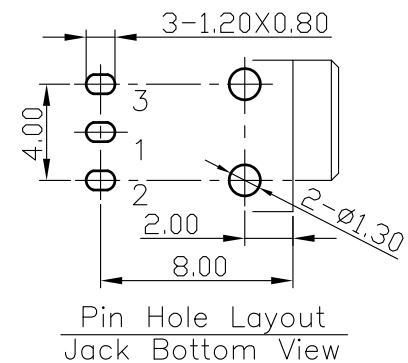
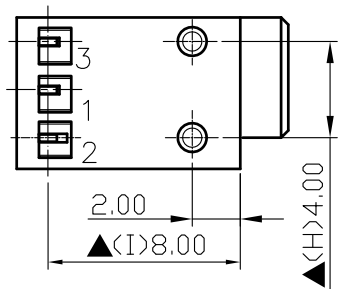
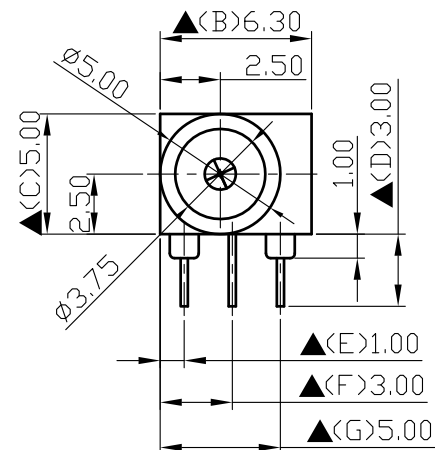
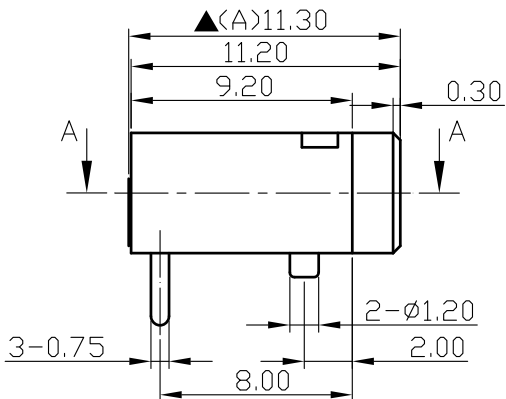
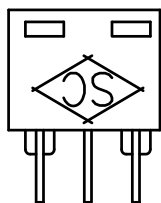
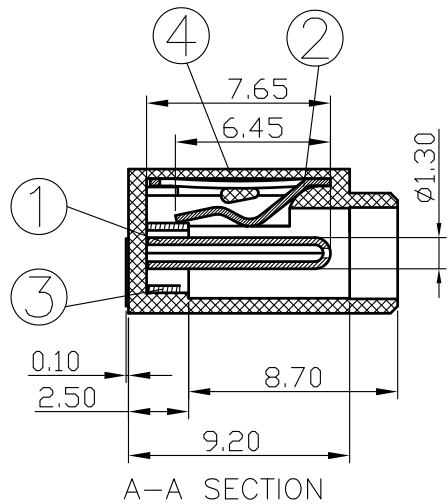
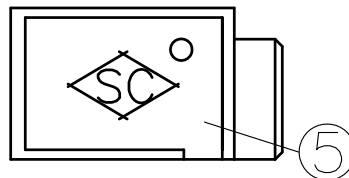



| | |
|-----------|-----------------------------------------------------------------------------------|
| SCHEMATIC |  |
| MODEL NO | C |



| 5. | Cover | PBT+30% | 1 | Black Color |
|-----|---------------|----------------|------|---------------|
| 4. | Housing | PBT+30% | 1 | Black Color |
| 3. | Pin Terminal | 0.3T Brass | 1 | Silver Plated |
| 2. | Sleeve Spring | 0.3T Beryllium | 1 | Silver Plated |
| 1. | Pin(1.3φ) | 0.3T Brass | 1 | Silver Plated |
| NO. | Description | Material | Q'TY | Finish |

| | | | | | |
|--------------------------------------------------------------------------------------------------------------------------------------|------------|-----|------|------|---------|
|  S.C. PRECISION INDUSTRIAL CO., LTD. 旭全 | DATE | DWN | CHKD | APVD | MANAGER |
| | 09.23.2021 | 王平華 | | | |

For Redference
僅供參考

RoHS&SVHC
Compliant

| | | |
|---------------------------|-------------------------------|--------------|
| PART NAME : DC POWER JACK | PART NUMBER: SCD411ACS000B00G | VERSION:11.0 |
|---------------------------|-------------------------------|--------------|

| | | |
|----------------------------------------------|-----------------------------------------------------------------------------------------------|-----------|
| TOLERANCE :±0.3mm UNLESS OTHERWISE SPECIFIED | UNIT:mm  | SCALE:1/1 |
|----------------------------------------------|-----------------------------------------------------------------------------------------------|-----------|

SPECIFICATIONS:
 Contact Resistance : 30mΩ max
 Current Rating : Max 5A , 24V DC
 Insulation Resistance : 100MΩ min. at DC 500V
 Remark: ▲: The Most Important Dimension