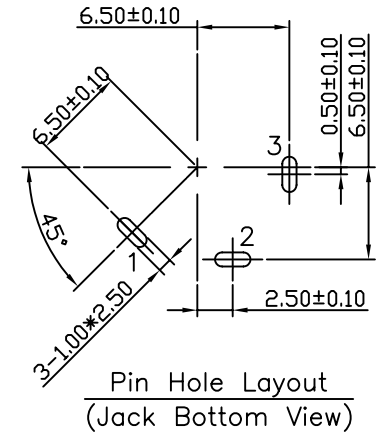
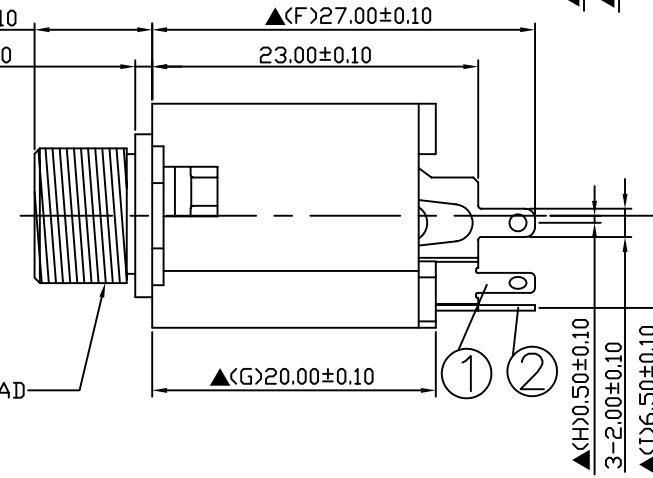
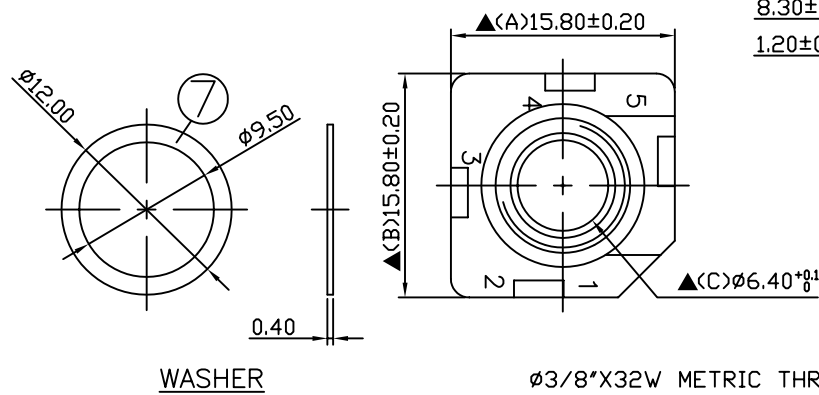
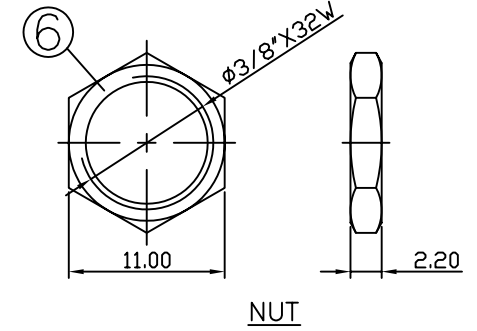
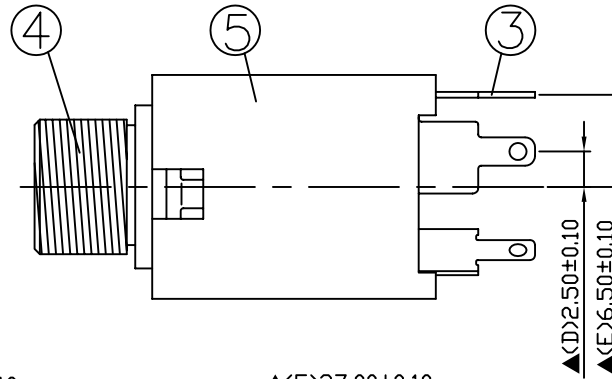


SCHEMATIC	
MODEL NO	Y



7.	Washer	0.4T Brass	1	Nickel Plated
6.	Nut	2.2T Brass	1	Nickel Plated
5.	Housing	PBT	1	Black Color
4.	Barrel	Brass	1	Nickel Plated
3.	Ring Spring	0.4T Phosphor Bronze	1	Silver Plated
2.	Tip Shunt	0.4T Brass	1	Silver Plated
1.	Earth Terminal	0.4T Brass	1	Silver Plated
NO.	Description	Material	Q'TY	Finish

S.C. PRECISION INDUSTRIAL CO., LTD.	DATE	DWN	CHKD	APVD	MANAGER
	10.12.2011				

PART NAME : 6.3φ PHONE JACK	PART NUMBER: SCJ649M1NYS4B00G	VERSION: 2.0
-----------------------------	-------------------------------	--------------

TOLERANCE : ±0.3mm UNLESS OTHERWISE SPECIFIED	UNIT: mm	SCALE: /
---	----------	----------

SPECIFICATIONS:
 Contact Resistance : 30mΩ max
 Insulation Resistance : 100MΩ min. at DC 500V
 Dielectric Withstand Voltage : AC 500V for one minute
 Remark: ▲: The Most Important Dimension

RoHS
Compliant

For Reference
僅供參考