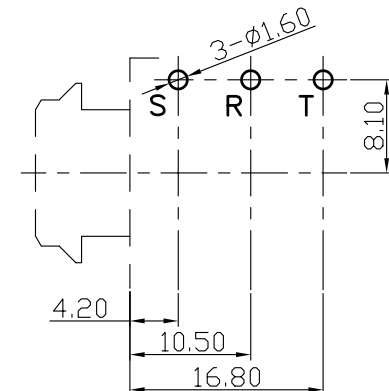
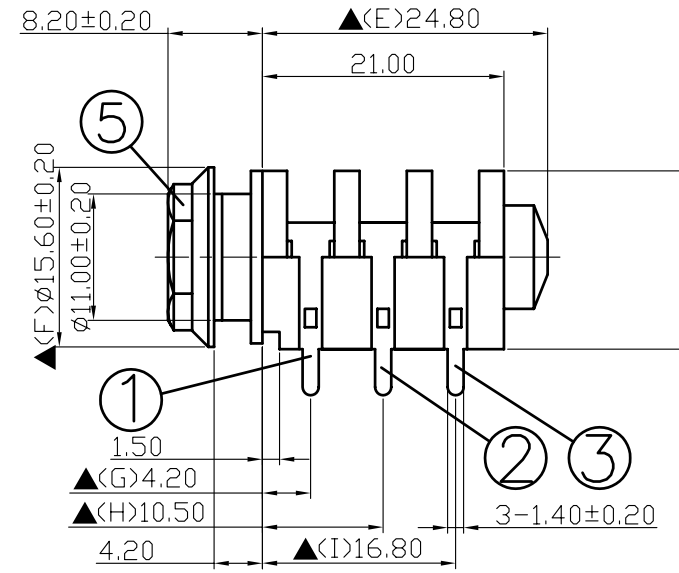
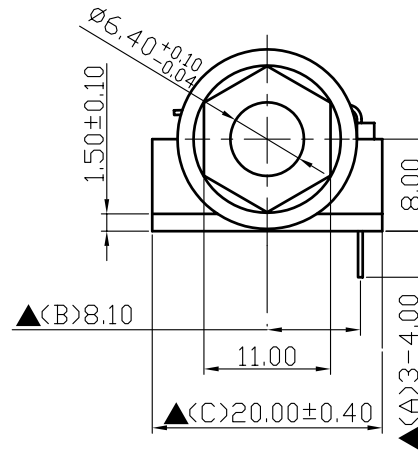
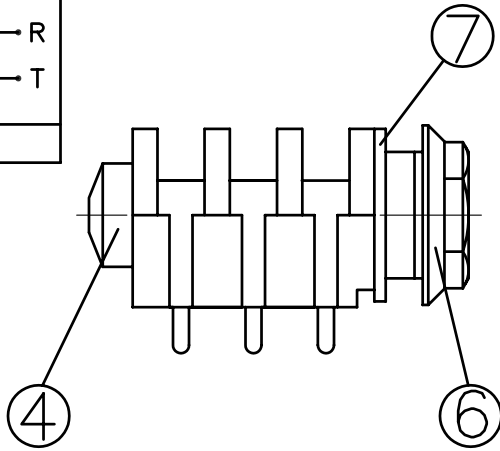


SCHEMATIC	
MODEL NO	C



Pin Hole Layout
(Jack Bottom View)

7.	Washer	PAPER SHEET t1.0	1	Red Color
6.	Bushing	PA66	1	Black Color
5.	Nut-Metal	Brass	1	Nickel Plated
4.	Housing	PA66	1	Black Color
3.	Tip Spring	0.4T Phosphor Bronze	1	Silver Plated
2.	Ring Spring	0.4T Phosphor Bronze	1	Silver Plated
1.	Sleeve Spring	0.4T Phosphor Bronze	1	Silver Plated
NO.	Description	Material	Q'TY	Finish

S.C. PRECISION INDUSTRIAL CO., LTD.	DATE	DWN	CHKD	APVD	MANAGER
	10.12.2011				

PART NAME : 6.3φ PHONE JACK	PART NUMBER: SCJ644R5NCS0BPOG	VERSION:5.0
-----------------------------	-------------------------------	-------------

TOLERANCE : ±0.3mm UNLESS OTHERWISE SPECIFIED	UNIT:mm	SCALE:1/1
---	---------	-----------

SPECIFICATIONS:
Contact Resistance : 30mΩ max
Insulation Resistance : 100MΩ min. at DC 500V
Dielectric Withstand Voltage : AC 500V for one minute
Remark: ▲: The Most Important Dimension

RoHS
Pb Free Process

For Reference
僅供參考