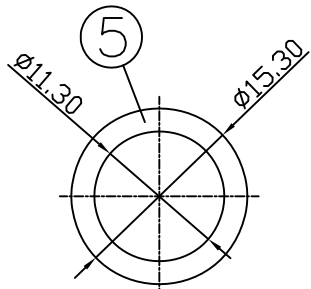
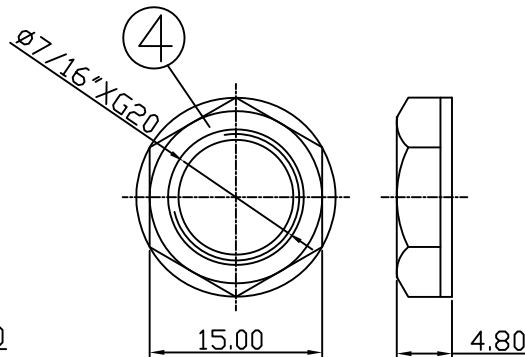


SCHEMATIC	
MODEL NO	A

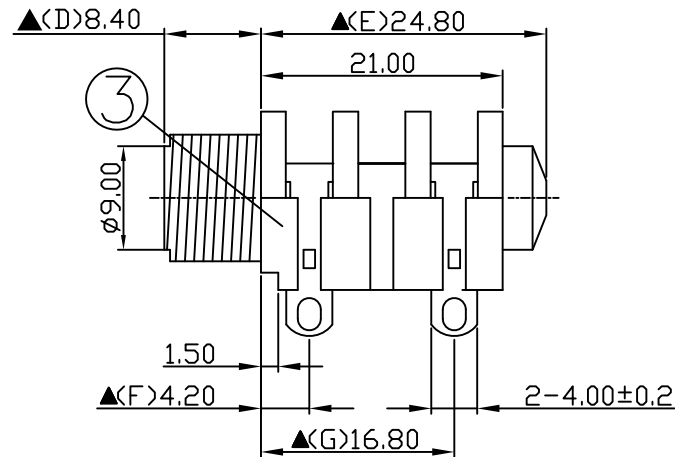
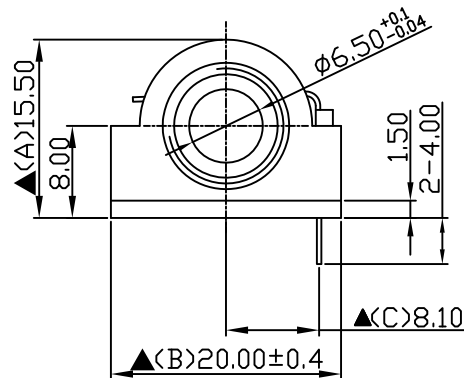
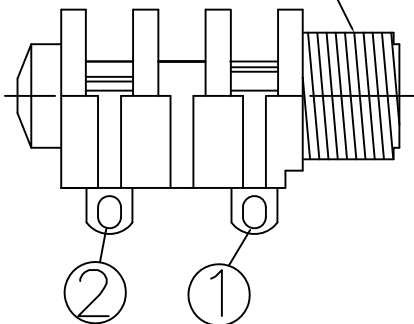


WASHER



NUT

ø7/16"XG20  
METRIC THREAD



5.	Washer	Red Vulcanited Fibre	1	Red Color
4.	Nut-Hexagon	PA66	1	Black Color
3.	Housing	PA66	1	Black Color
2.	Tip Spring	0.4T Phosphor Bronze	1	Silver Plated
1.	Sleeve Spring	0.4T Phosphor Bronze	1	Silver Plated
NO.	Description	Material	Q'TY	Finish

<b>S.C. PRECISION INDUSTRIAL CO., LTD.</b>	DATE	DWN	CHKD	APVD	MANAGER
	04.01.2022	王平華			

PART NAME : 6.3ø PHONE JACK	PART NUMBER: SCJ638P30AS5BW0G	VERSION: 4.0
-----------------------------	-------------------------------	--------------

TOLERANCE : ±0.3mm UNLESS OTHERWISE SPECIFIED	UNIT: mm	SCALE: 1/1
---	----------	------------

SPECIFICATIONS:  
 Contact Resistance : 30mΩ max  
 Insulation Resistance : 100MΩ min. at DC 500V  
 Dielectric Withstand Voltage : AC 500V for one minute  
 Remark: ▲: The Most Important Dimension

For Redference  
 僅供參考

RoHS&SVHC  
 Pb Free Process