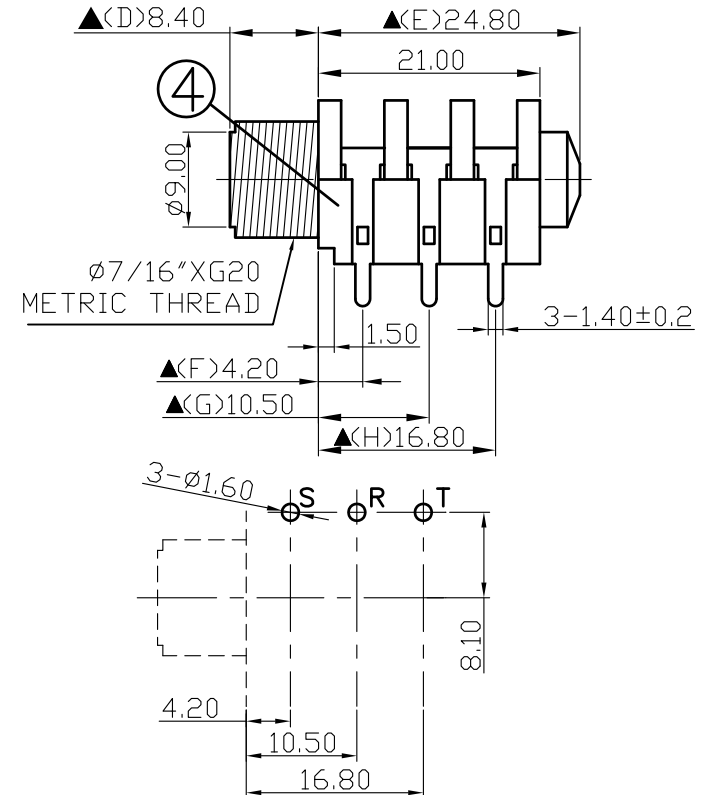
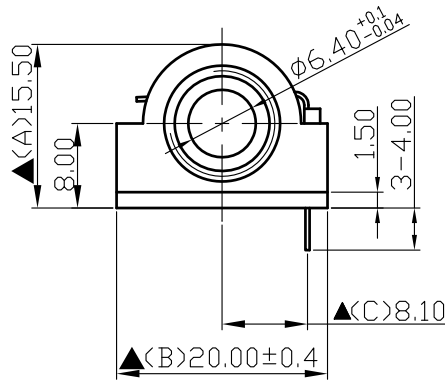
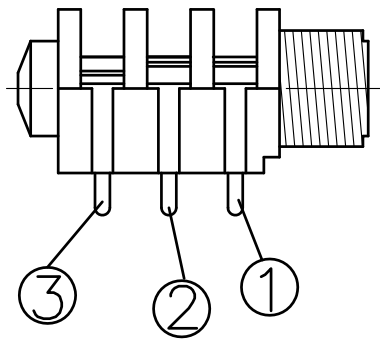
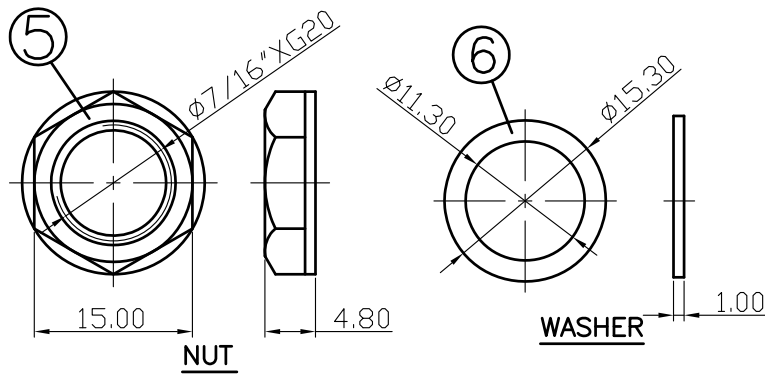


SCHEMATIC	<input checked="" type="checkbox"/> S
	<input checked="" type="checkbox"/> R
MODEL NO	C



6.	Washer	Red Vulcanited Fibre	1	Red Color
5.	Nut-Hexagon	PA66	1	Black Color
4.	Housing	PA66	1	Black Color
3.	Tip Spring	0.4T Phosphor Bronze	1	Silver Plated
2.	Ring Spring	0.4T Phosphor Bronze	1	Silver Plated
1.	Sleeve Spring	0.4T Phosphor Bronze	1	Silver Plated
NO.	Description	Material	Q'TY	Finish


**S.C. PRECISION INDUSTRIAL CO., LTD.**

DATE	DWN	CHKD	APVD	MANAGER
04.01.2022	王平華			

PART NAME : 6.3φ PHONE JACK	PART NUMBER: SCJ638P30CS5BP0G	VERSION: 4.0
-----------------------------	-------------------------------	--------------

TOLERANCE : ±0.3mm UNLESS OTHERWISE SPECIFIED	UNIT: mm 	SCALE: 1/1
---	--	------------

Pin Hole Layout  
(Jack Bottom View)

For Redference  
僅供參考

RoHS&SVHC  
Pb Free Process

SPECIFICATIONS:  
 Contact Resistance : 30mΩ max  
 Insulation Resistance : 100MΩ min. at DC 500V  
 Dielectric Withstand Voltage : AC 500V for one minute  
 Remark: ▲ : The Most Important Dimension