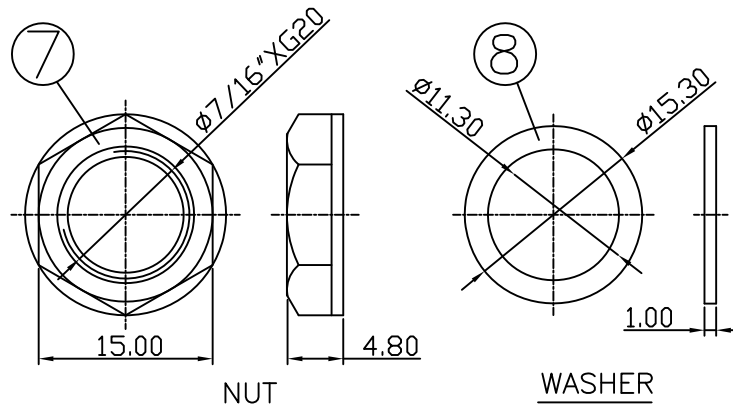
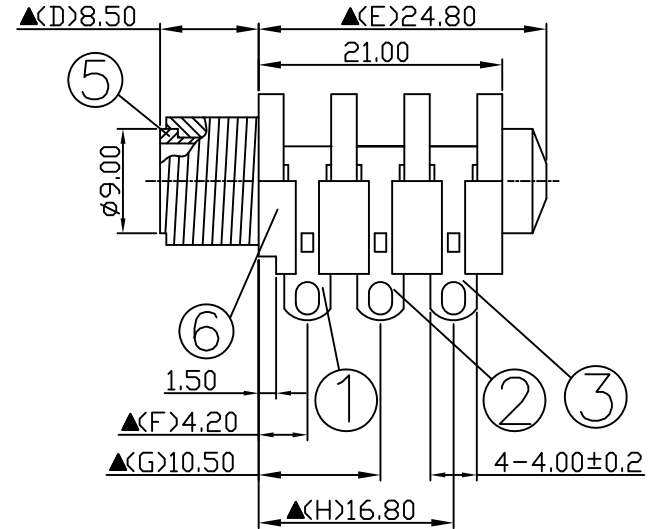
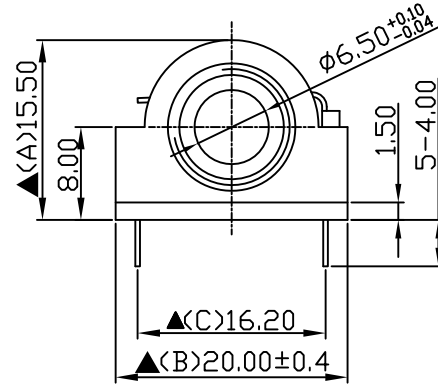
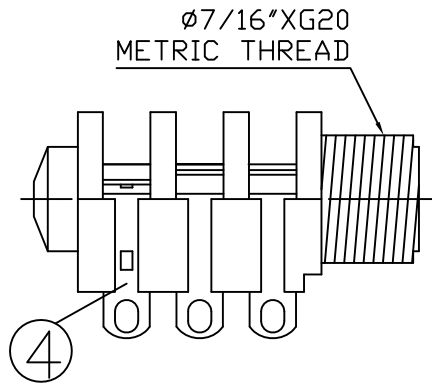


SCHEMATIC	
MODEL NO	E



8.	Washer	Red Vulcanited Fibre	1	Red Color
7.	Nut-Hexagon	PA66	1	Black Color
6.	Housing	PA66	1	Black Color
5.	Metal	Low Lead Brass Rod	1	Nickel Plated
4.	Tip Shunt	0.4T Brass	1	Silver Plated
3.	Tip Spring	0.4T Phosphor Bronze	1	Silver Plated
2.	Ring Spring	0.4T Phosphor Bronze	1	Silver Plated
1.	Sleeve Spring	0.4T Phosphor Bronze	1	Silver Plated
NO.	Description	Material	Q'TY	Finish

S.C. PRECISION INDUSTRIAL CO., LTD.	DATE	DWN	CHKD	APVD	MANAGER
	04.02.2022	王平華			

For Redference
僅供參考

RoHS&SVHC
Pb Free Process

PART NAME : 6.3φ PHONE JACK	PART NUMBER: SCJ638R4NES5BW0L	VERSION: 1.0
-----------------------------	-------------------------------	--------------

TOLERANCE : ±0.3mm UNLESS OTHERWISE SPECIFIED	UNIT: mm	SCALE: 1/1
---	----------	------------

SPECIFICATIONS:
 Contact Resistance : 30mΩ max
 Insulation Resistance : 100MΩ min. at DC 500V
 Dielectric Withstand Voltage : AC 500V for one minute
 Remark: ▲: The Most Important Dimension