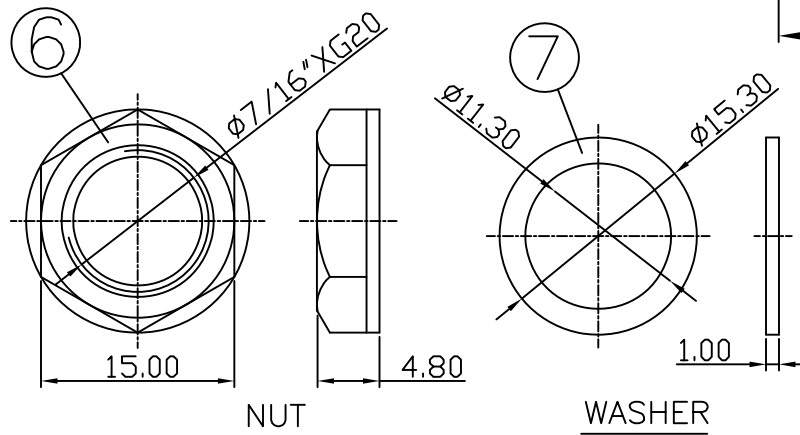
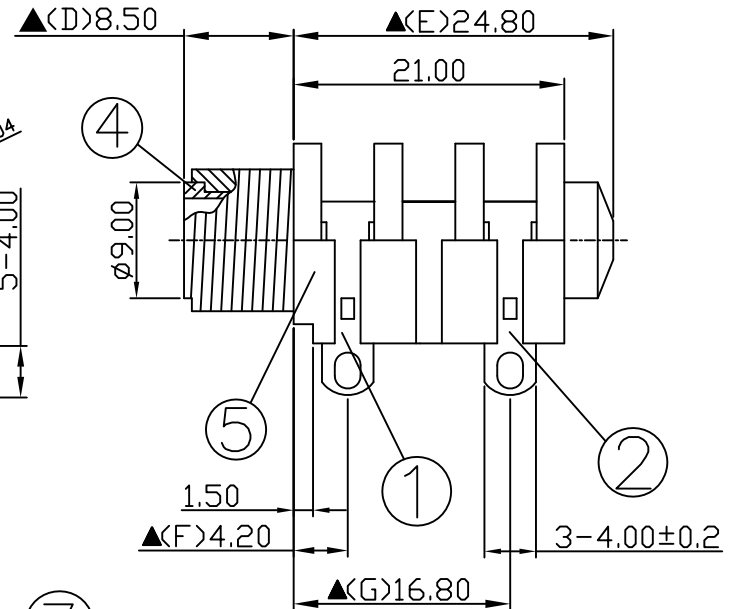
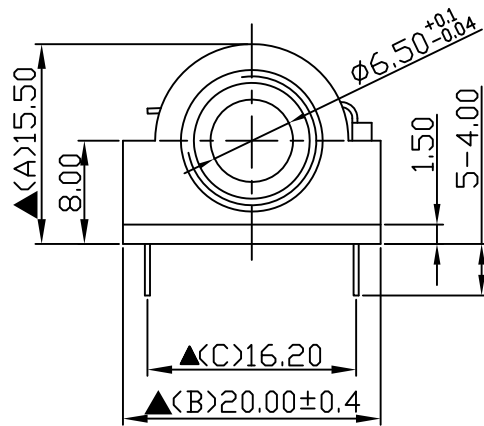
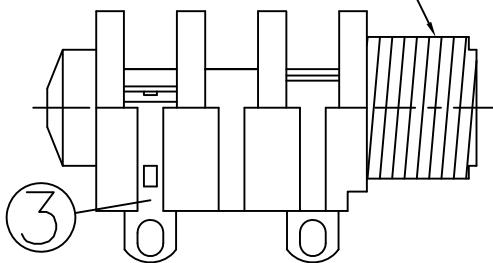


SCHEMATIC	
MODEL NO	B

ø7/16"XG20
METRIC THREAD



7.	Washer	Red Vulcanited Fibre	1	Red Color
6.	Nut-Hexagon	PA66	1	Black Color
5.	Housing	PA66	1	Black Color
4.	Metal	Low Lead Brass Rod	1	Nickel Plated
3.	Tip Shunt	0.4T Brass	1	Silver Plated
2.	Tip Spring	0.4T Phosphor Bronze	1	Silver Plated
1.	Sleeve Spring	0.4T Phosphor Bronze	1	Silver Plated
NO.	Description	Material	Q'TY	Finish

	DATE	DWN	CHKD	APVD	MANAGER
	04.02.2022	王平華			

For Redference
僅供參考

RoHS&SVHC
Pb Free Process

PART NAME : 6.3ø PHONE JACK	PART NUMBER: SCJ638R4NBS5BW0L	VERSION:1.0
-----------------------------	-------------------------------	-------------

TOLERANCE :±0.3mm UNLESS OTHERWISE SPECIFIED	UNIT:mm	SCALE:1/1
--	---------	-----------

SPECIFICATIONS:
 Contact Resistance : 30mΩ max
 Insulation Resistance : 100MΩ min. at DC 500V
 Dielectric Withstand Voltage : AC 500V for one minute
 Remark: ▲: The Most Important Dimension