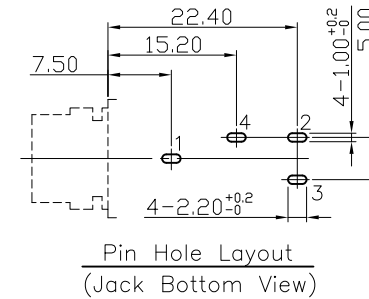
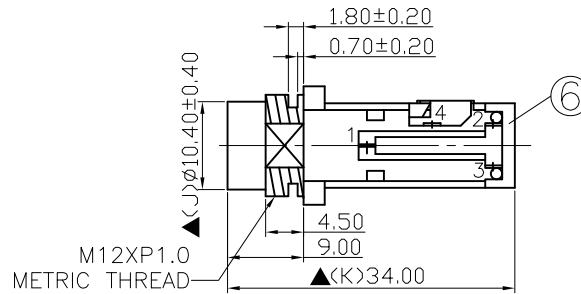
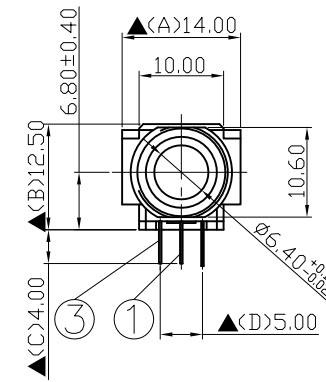
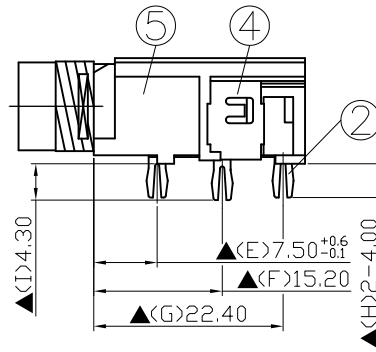
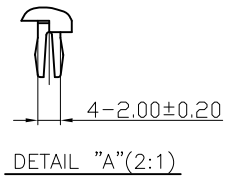
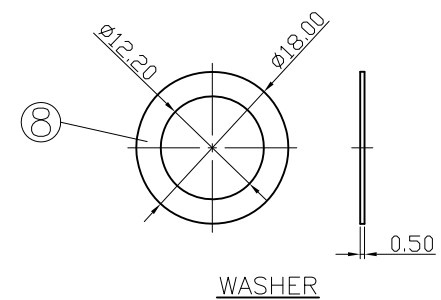
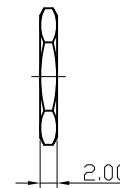
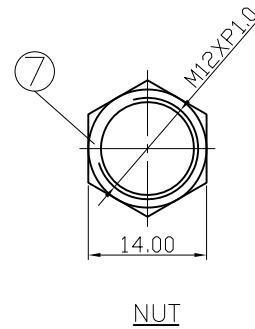


SCHEMATIC	
MODLE NO	D



8.	Washer	0.5T Steel	1	Nickel Plated
7.	Nut	2.0T Steel	1	Nickel Plated
6.	Cover	PBT+15%	1	Black Color
5.	Housing	PBT+15%	1	Black Color
4.	Tip Shunt	0.3T Brass	1	Silver Plated
3.	Ring Spring	0.3T Phosphor Bronze	1	Silver Plated
2.	Tip Spring	0.4T Phosphor Bronze	1	Silver Plated
1.	Earth Terminal	0.3T Phosphor Bronze	1	Silver Plated
NO	Description	Material	Q'TY	Finish



S.C.PRECISION INDUSTRIAL CO., LTD. 旭全	DATE	DWN	CHKD	APVD	MANAGER
	07.05.2021	王平華			

For Redference
僅供參考

RoHS&SVHC
Compliant

PART NAME : 6.3φ PHONE JACK

PART NUMBER: SCJ630P50DS1BH0G

VERSION: 7.0

TOLERANCE : ±0.3mm UNLESS OTHERWISE SPECIFIED

UNIT: mm



SCALE: /

SPECIFICATIONS:

Contact Resistance : 30mΩ max
 Insulation Resistance : 100MΩ min. at DC 500V
 Dielectric Withstanding Voltage: AC 500V for one minute
 Remark: ▲: The Most Important Dimension