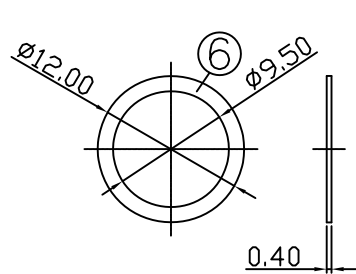
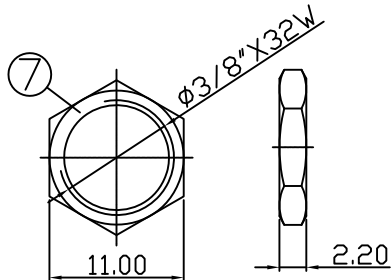


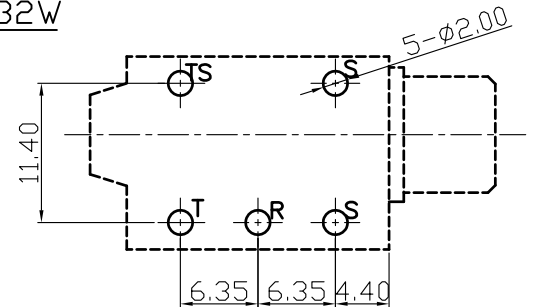
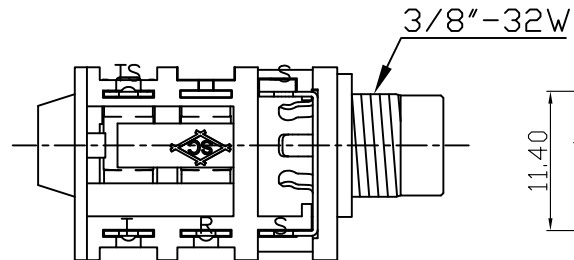
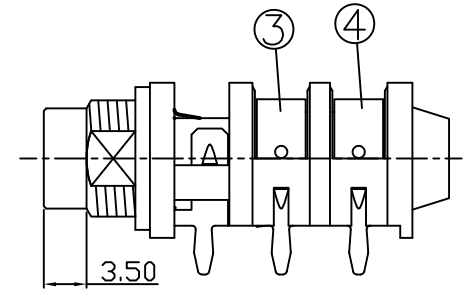
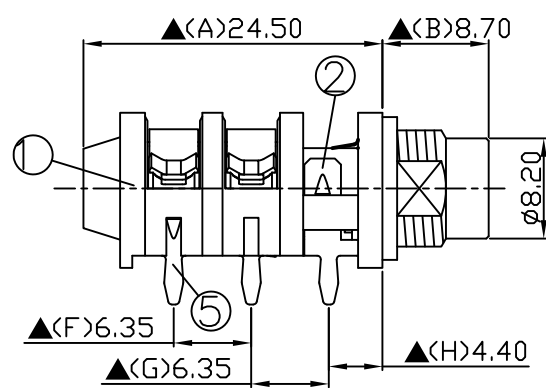
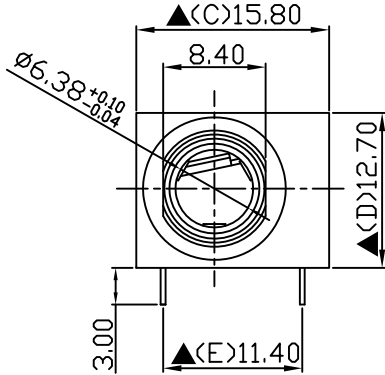
SCHEMATIC		S
		R
MODEL NO		T
		TS
MODEL NO	E	



WASHER



NUT



Pin Hole Layout
(Jack Bottom View)

7.	Nut	Low Lead Brass Rod	1	Nickel Plated
6.	Washer	0.4T Brass	1	Nickel Plated
5.	Tip Shunt	0.4T Brass	1	Silver Plated
4.	Tip Spring	0.4T Phosphor Bronze	1	Silver Plated
3.	Ring Spring	0.4T Phosphor Bronze	1	Silver Plated
2.	Sleeve Shunt	0.4T Brass	1	Silver Plated
1.	Housing	PA66	1	Black Color
NO.	Description	Material	Q'TY	Finish

S.C. PRECISION INDUSTRIAL CO., LTD.
 DATE: 03.30.2022 DWN: 王平華 CHKD: APVD: MANAGER:

For Redference
僅供參考

RoHS&SVHC
Pb Free Process

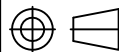
PART NAME : 6.3φ PHONE JACK

PART NUMBER: SCJ636P50ES4BP0L

VERSION: 1.0

TOLERANCE : ±0.3mm UNLESS OTHERWISE SPECIFIED

UNIT: mm



SCALE: /

SPECIFICATIONS:

Contact Resistance : 30mΩ max
 Insulation Resistance : 100MΩ min. at DC 500V
 Dielectric Withstanding Voltage: AC 500V for one minute
 Remark: ▲ : The Most Important Dimension