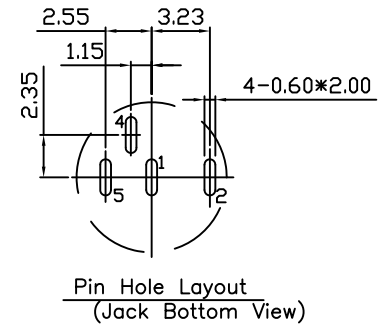
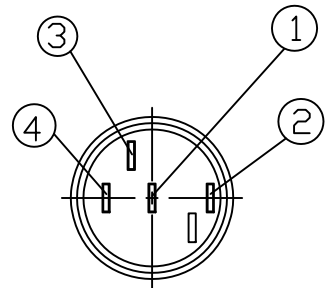


8	Metal Shell	Low Lead Brass Rod	1	Nickel Plated
7	Bushing	PA66	1	Black Color
6	Housing	PBT+30%	1	Black Color
5	Cover	PBT+30%	1	Black Color
4	Tip Spring	0.3T Phosphor Bronze	1	Silver Plated
3	Break Terminal	0.3T Brass	1	Silver Plated
2	Ring Spring	0.3T Phosphor Bronze	1	Silver Plated
1	Earch Terminal	0.3T Brass	1	Silver Plated
NO.	Description	Material	QTY	Finish



S.C. PRECISION INDUSTRIAL CO., LTD 旭全	DATE	DWN	CHKD	APVD	MANAGER
	12.30.2021	王平華			

For Redference
僅供參考

RoHS&SVHC
Compliant

PART NAME : 3.5 ϕ PHONE JACK	PART NUMBER: SCJ391M7NVS0BB0L	VERSION: 1.0
-----------------------------------	-------------------------------	--------------

SPECIFICATIONS:
 Contact Resistance : 30m Ω max
 Insulation Resistance : 100M Ω min. at DC 500V
 Dielectric Withstand Voltage : AC 500V for one minute
 Remark: ▲: The Most Important Dimension

TOLERANCE : ± 0.3 mm UNLESS OTHERWISE SPECIFIED	UNIT: mm	SCALE: 1/1
---	----------	------------