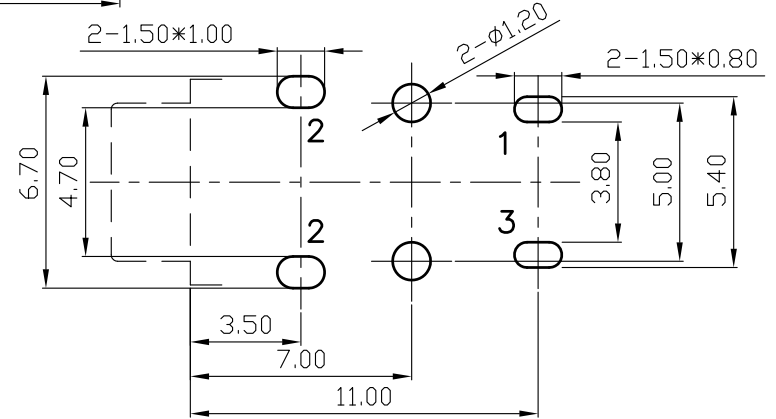
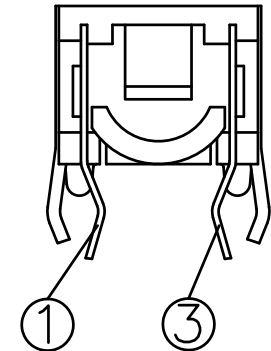
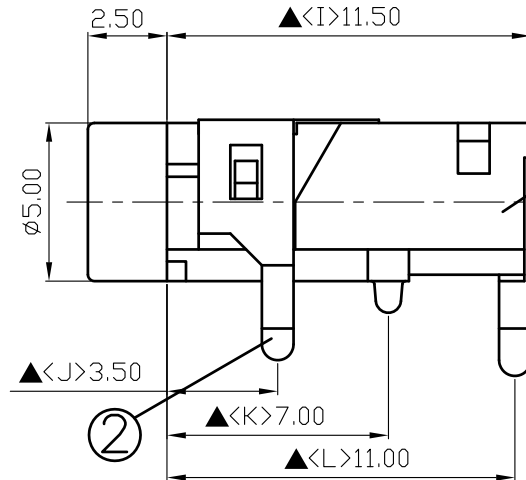
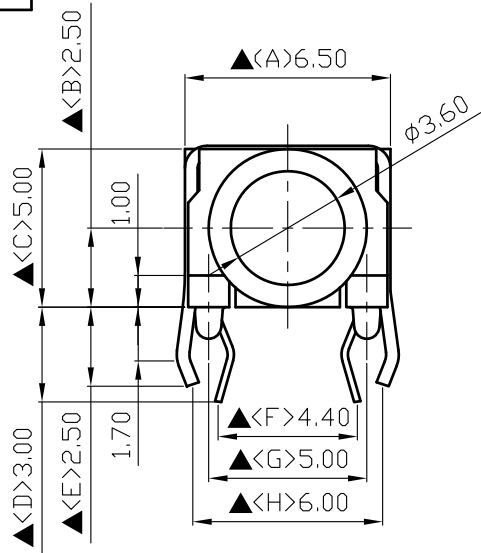


| | | |
|-----------|---|--|
| SCHEMATIC | | |
| Code No: | X | |



| 4. | Housing | PBT+30% | 1 | Black Color |
|-----|----------------|----------------------|------|---------------|
| 3. | Ring Spring | 0.2T Phosphor Bronze | 1 | Silver Plated |
| 2. | Tip Spring | 0.4T Phosphor Bronze | 1 | Silver Plated |
| 1. | Earth Terminal | 0.2T Phosphor Bronze | 1 | Silver Plated |
| NO. | Description | Material | Q'TY | Finish |

| | | | | | |
|--|------------|-----|------|------|---------|
| S.C. PRECISION INDUSTRIAL CO., LTD. | DATE | DWN | CHKD | APVD | MANAGER |
| | 12.21.2021 | 王平華 | | | |

PART NAME : 3.5φ PHONE JACK

PART NUMBER: SCJ370P00XS0B00G

VERSION:2.0

TOLERANCE :±0.3mm UNLESS OTHERWISE SPECIFIED

UNIT:mm

SCALE:1/1

Pin Hole Layout
(Jack Bottom View)

For Redference
僅供參考

RoHS&SVHC
Compliant

SPECIFICATIONS:
 Contact Resistance : 30mΩ max
 Insulation Resistance : 100MΩ min. at DC 500V
 Dielectric Withstanding Voltage: AC 500V for one minute
 Remark: ▲: The Most Important Dimension