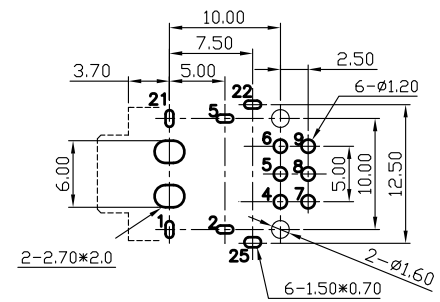
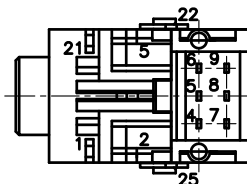


SCALE:(1: 2)

19.	Insulator	PA66+33%	1	Black Color
18.	Sequins	Tin Phosphor Bronze	2	
17.	Spring	SUS-304	1	
16.	Back Housing Cover	PA66+33%	1	Transparent
15.	Back Housing	PA66+33%	1	Black Color
14.	Switch Pin	0.4T Brass	6	Silver Plated
13.	Bushing(TOP)	PBT+30%	1	577C Green Color
12.	Bushing(DOWN)	PBT+30%	1	701C Pink Color
11.	Sleeve(Barrel)	Low Lead Brass Rod	2	Nickel Plated
10.	Metal Shell	0.2T Phosphor Copper	1	Silver Plated
9.	Housing	PBT	1	Black Color
8.	Tip Lead(TOP)	0.4T Brass	1	Silver Plated
7.	Tip Spring(TOP)	0.25T Phosphor Copper	1	Silver Plated
6.	Ring Lead(TOP)	0.4T Brass	1	Silver Plated
5.	Ring Spring(TOP)	0.25T Phosphor Copper	1	Silver Plated
4.	Earth Terminal(TOP)	0.4T Phosphor Copper	1	Silver Plated
3.	Tip Spring(DOWN)	0.25T Phosphor Copper	1	Silver Plated
2.	Ring Spring(DOWN)	0.3T Phosphor Copper	1	Silver Plated
1.	Earth Terminal(DOWN)	0.4T Phosphor Copper	1	Silver Plated
NO.	Description	Material	Q'TY	Finish



Pin Hole Layout  
(Jack Bottom View)



S.C. PRECISION INDUSTRIAL CO., LTD.

DATE	DWN	CHKD	APVD	MANAGER
06.03.2024	王放策			

For Redference  
僅供參考

RoHS&SVHC  
Compliant

PART NAME : 3.5φ PHONE JACK PART NUMBER : SCJ352M5NXSGPN4L VERSION:1.0

TOLERANCE : ±0.3mm UNLESS OTHERWISE SPECIFIED UNIT:mm SCALE:1/1

SPECIFICATIONS:  
Contact Resistance : 30mΩ max  
Insulation Resistance : 100MΩ min. at DC 500V  
Dielectric Withstand Voltage : AC 500V for one minute  
Remark: ▲: The Most Important Dimension