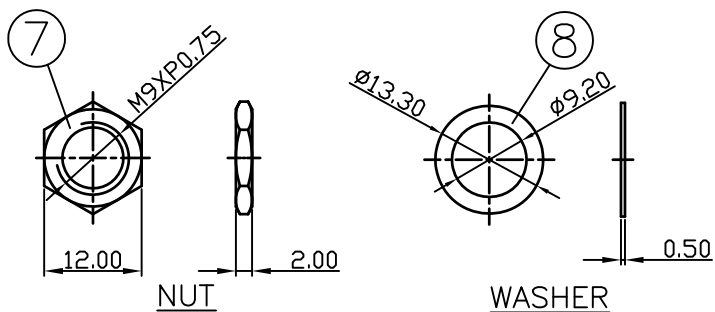


8.	Washer	0.5T Steel	1	Nickel Plated
7.	Nut	2.0T Steel	1	Nickel Plated
6.	Insulator	Red Vulcanited Fibre	1	Red Color
5.	Barrel(W/Thread)	Low Lead Brass Rod	1	Nickel Plated
4.	Cover	0.5T Steel	1	Nickel Plated
3.	Housing	POM	1	Black Color
2.	Break Terminal	0.4T Brass	1	Silver Plated
1.	Tip Spring	0.35T Phosphor Bronze	1	Silver Plated
NO.	Description	Material	Q'TY	Finish



S.C. PRECISION INDUSTRIAL CO., LTD.

DATE	DWN	CHKD	APVD	MANAGER
01.05.2022	王平華			

For Redference
僅供參考

RoHS&SVHC
Compliant

PART NAME : 6.3φ PHONE JACK

PART NUMBER: SCJ614M2NES3B12L

VERSION: 1.0

SPECIFICATIONS:
 Contact Resistance : 30mΩ max
 Insulation Resistance : 100MΩ min. at DC 500V
 Dielectric Withstanding Voltage: AC 500V for one minute
 Remark: ▲: The Most Important Dimension

TOLERANCE : ±0.3mm UNLESS OTHERWISE SPECIFIED

UNIT: mm

SCALE: 1/1