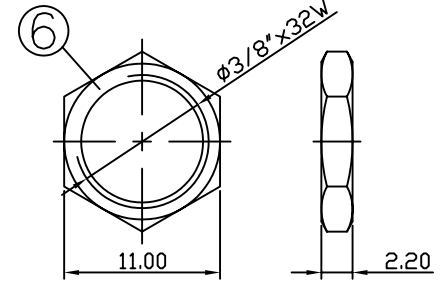
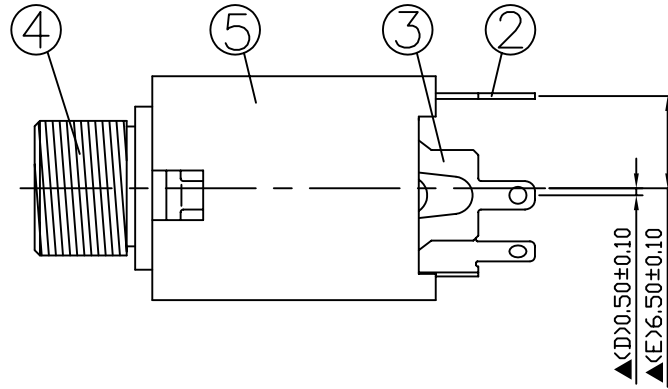
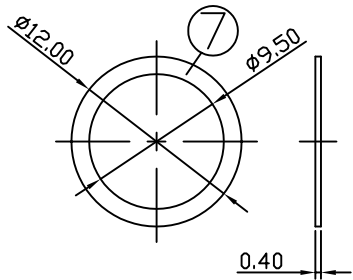


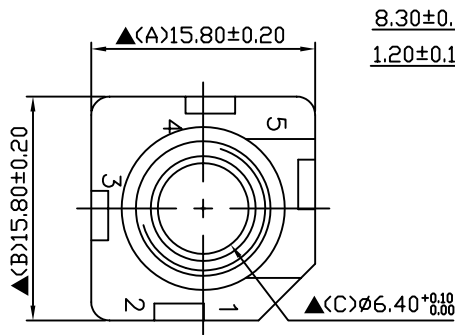
SCHEMATIC	
MODEL NO	X



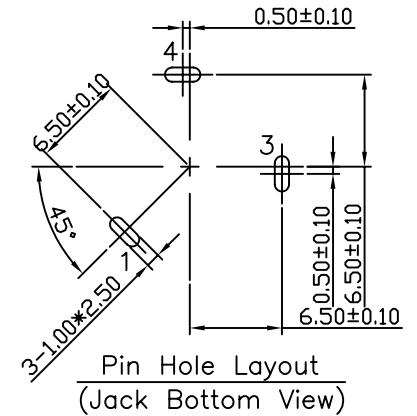
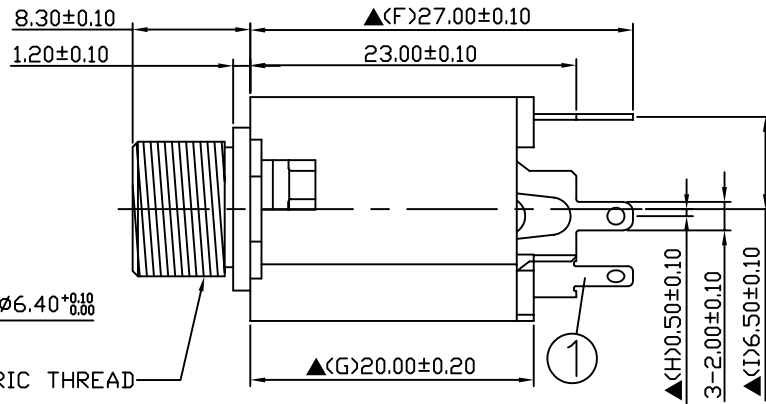
Nut



Washer



$\phi 3/8 \times 32W$ METRIC THREAD



Pin Hole Layout
(Jack Bottom View)

7.	Washer	0.4T Brass	1	Nickel Plated
6.	Nut	2.2T Brass	1	Nickel Plated
5.	Housing	PBT	1	Black Color
4.	Barrel	Brass	1	Nickel Plated
3.	Ring Spring	0.4T Phosphor Bronze	1	Silver Plated
2.	Tip Spring	0.4T Phosphor Bronze	1	Silver Plated
1.	Earth Terminal	0.4T Brass	1	Silver Plated
NO.	Description	Material	Q'TY	Finish



S.C. PRECISION INDUSTRIAL CO., LTD.

DATE	DWN	CHKD	APVD	MANAGER
10.12.2011				

RoHS
Compliant

For Reference
僅供參考

PART NAME : 6.3 ϕ PHONE JACK

PART NUMBER: SCJ649M1NXS4B00G

VERSION: 2.0

TOLERANCE : $\pm 0.3\text{mm}$ UNLESS OTHERWISE SPECIFIED

UNIT: mm



SCALE: /

SPECIFICATIONS:

Contact Resistance : 30m Ω max
 Insulation Resistance : 100M Ω min. at DC 500V
 Dielectric Withstand Voltage : AC 500V for one minute
 Remark: \blacktriangle : The Most Important Dimension