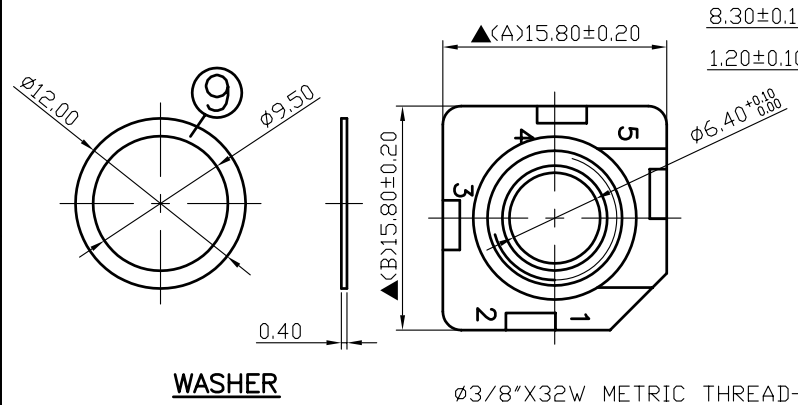
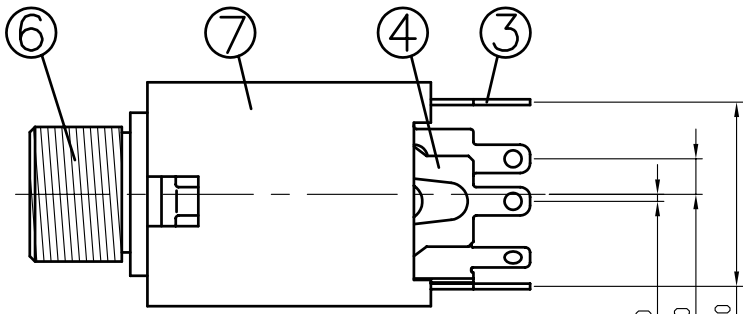
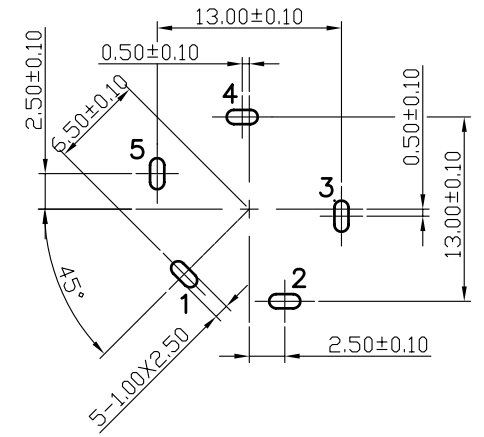
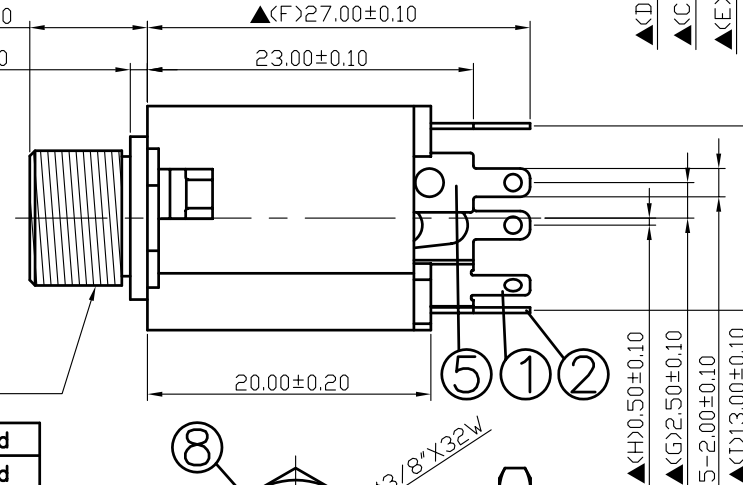


SCHEMATIC	
MODEL NO	U

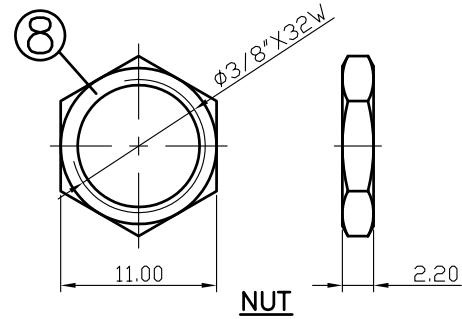


WASHER

$\phi 3/8 \times 32W$ METRIC THREAD



Pin Hole Layout
(Jack Bottom View)



NUT

9.	Washer	0.4T Brass	1	Nickel Plated
8.	Nut	2.2T Brass	1	Nickel Plated
7.	Housing	PBT	1	Black Color
6.	Barrel	Brass	1	Nickel Plated
5.	Ring Shunt	0.4T Brass	1	Silver Plated
4.	Ring Spring	0.4T Phosphor Bronze	1	Silver Plated
3.	Tip Spring	0.4T Phosphor Bronze	1	Silver Plated
2.	Tip Shunt	0.4T Brass	1	Silver Plated
1.	Earth Terminal	0.4T Brass	1	Silver Plated
NO.	Description	Material	Q'TY	Finish

S.C. PRECISION INDUSTRIAL CO., LTD. 旭 全	DATE	DWN	CHKD	APVD	MANAGER
	10.12.2011				

PART NAME : 6.3 ϕ PHONE JACK	PART NUMBER: SCJ649M1NUS4B00G	VERSION: 2.0
-----------------------------------	-------------------------------	--------------

TOLERANCE : ± 0.3 mm UNLESS OTHERWISE SPECIFIED	UNIT: mm	SCALE: 1/1
---	----------	------------

SPECIFICATIONS:
 Contact Resistance : 30m Ω max
 Insulation Resistance : 100M Ω min. at DC 500V
 Dielectric Withstand Voltage : AC 500V for one minute
 Remark: \blacktriangle : The Most Important Dimension

RoHS
Compliant

For Reference
僅供參考