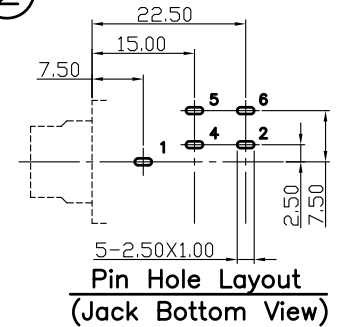
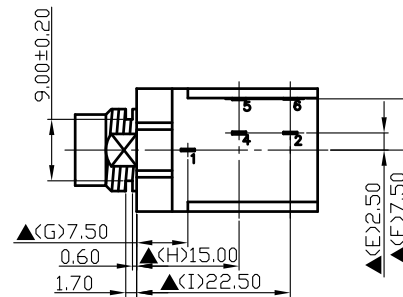
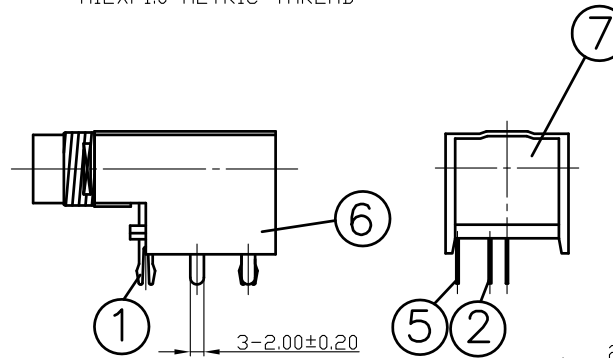
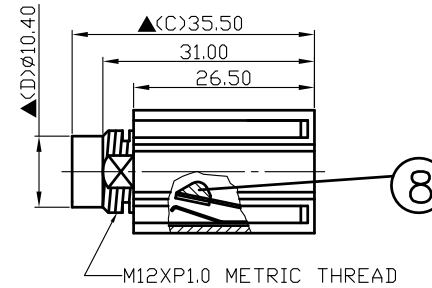
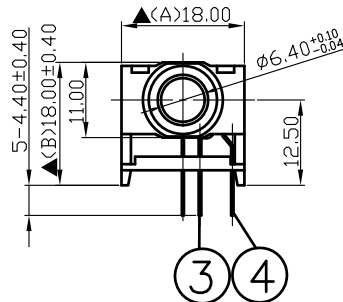
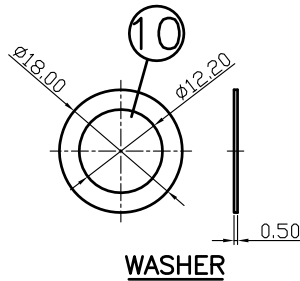
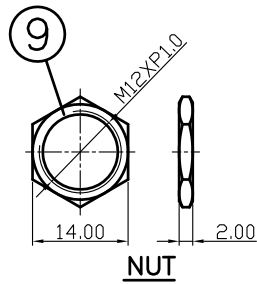


SCHEMATIC	
MODEL NO	E



10.	Washer	0.5T Steel	1	Nickel Plated
9.	Nut	2.0T Steel	1	Nickel Plated
8.	Insulator	POM	1	Black Color
7.	Cover	POM	1	Black Color
6.	Housing	PBT	1	Black Color
5.	Make Terminal	0.2T Phosphor Bronze	1	Silver Plated
4.	Break Terminal	0.35T Phosphor Bronze	1	Silver Plated
3.	Transfer Terminal	0.4T Brass	1	Silver Plated
2.	Tip Spring	0.3T Phosphor Bronze	1	Silver Plated
1.	Earth Terminal	0.3T Phosphor Bronze	1	Silver Plated
NO.	Description	Material	Q'TY	Finish

S.C. PRECISION INDUSTRIAL CO., LTD.	DATE	DWN	CHKD	APVD	MANAGER
	03.25.2022	王平華			

For Redference
僅供參考

RoHS&SVHC
Compliant

PART NAME : 6.3φ PHONE JACK	PART NUMBER: SCJ634P50ES1B00G	VERSION:5.0
-----------------------------	-------------------------------	-------------

TOLERANCE : ±0.3mm UNLESS OTHERWISE SPECIFIED	UNIT:mm	SCALE:1/1
---	---------	-----------

SPECIFICATIONS:
Contact Resistance : 30mΩ max
Insulation Resistance : 100MΩ min. at DC 500V
Dielectric Withstanding Voltage: AC 500V for one minute
Remark: ▲: The Most Important Dimension