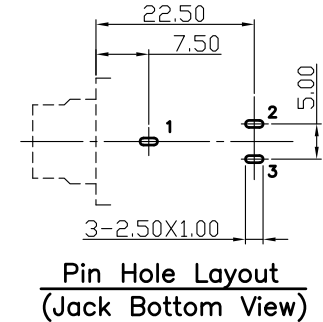
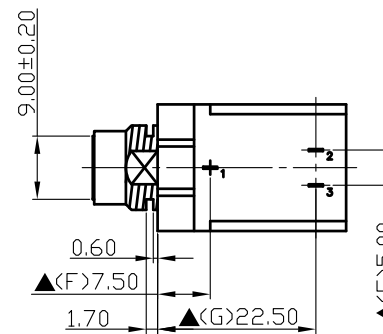
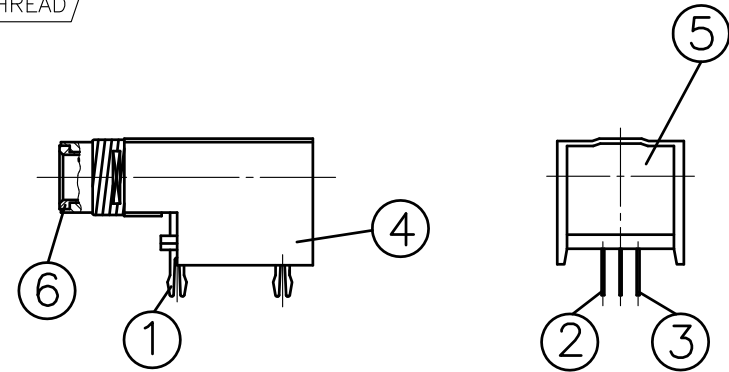
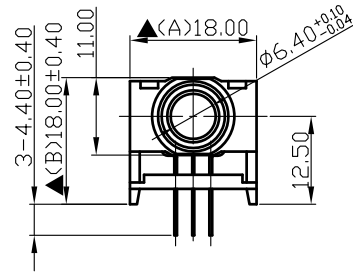
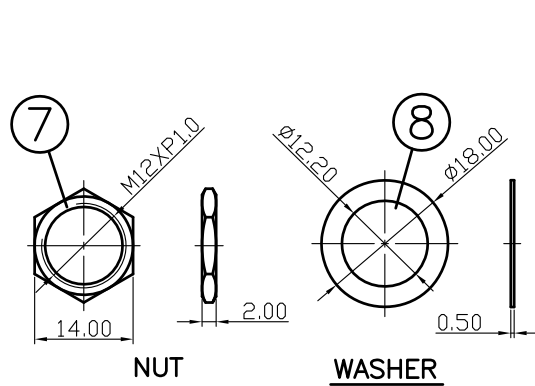
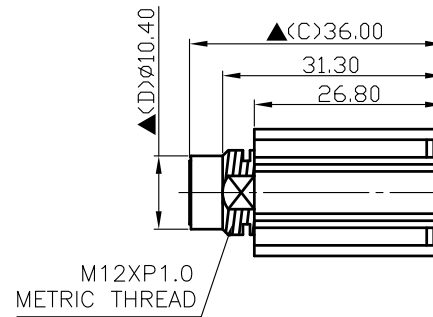


| | |
|----------|---|
| SCHMATIC | |
| MODEL NO | A |



| | | | | |
|-----|----------------|----------------------|------|---------------|
| 8. | Washer | 0.5T Steel | 1 | Nickel Plated |
| 7. | Nut | 2.0T Steel | 1 | Nickel Plated |
| 6. | Bushing | Low Lead Brass Rod | 1 | Nickel Plated |
| 5. | Cover | POM | 1 | Black Color |
| 4. | Housing | PBT | 1 | Black Color |
| 3. | Ring Spring | 0.3T Phosphor Bronze | 1 | Silver Plated |
| 2. | Tip Spring | 0.3T Phosphor Bronze | 1 | Silver Plated |
| 1. | Earth Terminal | 0.3T Phosphor Bronze | 1 | Silver Plated |
| NO. | Description | Material | Q'TY | Finish |

| | | | | | |
|--|------------|-----|------|------|---------|
| S.C. PRECISION INDUSTRIAL CO., LTD. 旭全 | DATE | DWN | CHKD | APVD | MANAGER |
| | 03.26.2022 | 王平華 | | | |

For Redference
僅供參考

RoHS&SVHC
Compliant

| | | |
|-----------------------------|-------------------------------|-------------|
| PART NAME : 6.3φ PHONE JACK | PART NUMBER: SCJ634RONAS1B00L | VERSION:3.0 |
|-----------------------------|-------------------------------|-------------|

| | | |
|---|---------|-----------|
| TOLERANCE : ±0.3mm UNLESS OTHERWISE SPECIFIED | UNIT:mm | SCALE:1/1 |
|---|---------|-----------|

SPECIFICATIONS:
 Contact Resistance : 30mΩ max
 Insulation Resistance : 100MΩ min. at DC 500V
 Dielectric Withstanding Voltage: AC 500V for one minute
 Remark: ▲: The Most Important Dimension