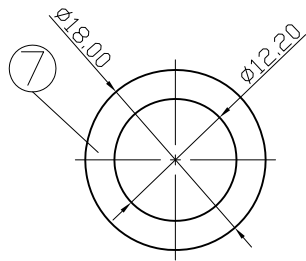
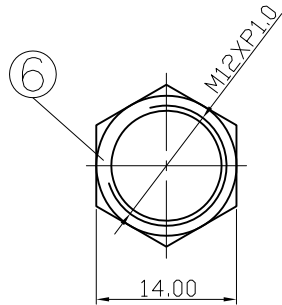
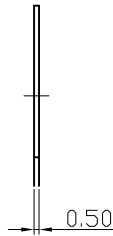


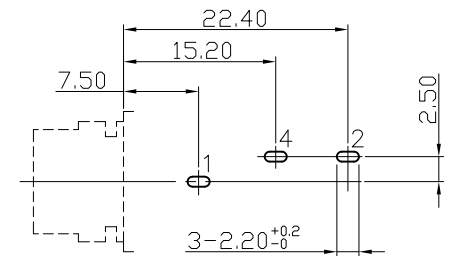
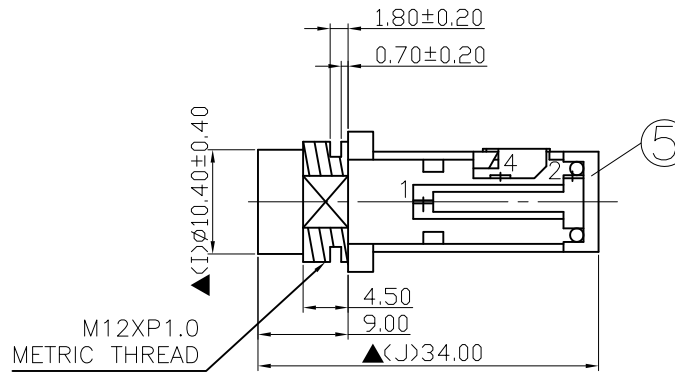
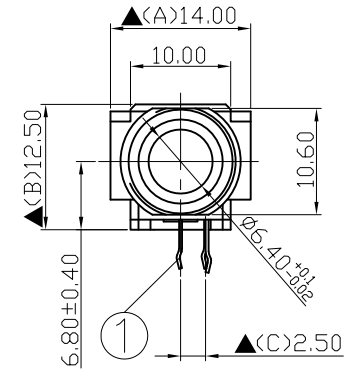
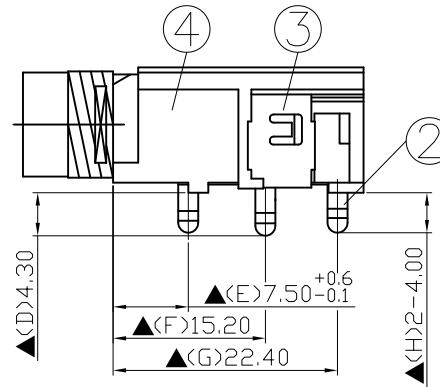
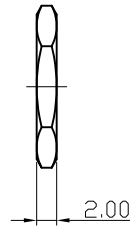
SCHEMATIC	
MODLE NO	C



WASHER



NUT



Pin Hole Layout  
(Jack Bottom View)

7.	Washer	0.5T Steel	1	Nickel Plated
6.	Nut	2.0T Steel	1	Nickel Plated
5.	Cover	PBT+15%	1	Black Color
4.	Housing	PBT+15%	1	Black Color
3.	Tip Shunt	0.3T Brass	1	Silver Plated
2.	Tip Spring	0.4T Phosphor Bronze	1	Silver Plated
1.	Earth Terminal	0.3T Phosphor Bronze	1	Silver Plated
NO	Descricion	Material	Q'TY	Finish



S.C. PRECISION INDUSTRIAL CO., LTD.

DATE	DWN	CHKD	APVD	MANAGER
07.05.2021	王平華			

For Redference  
僅供參考

RoHS&SVHC  
Compliant

PART NAME : 6.3φ PHONE JACK

PART NUMBER: SCJ630P50CS1BK0G

VERSION: 5.0

TOLERANCE : ±0.3mm UNLESS OTHERWISE SPECIFIED

UNIT: mm



SCALE: 1/1

SPECIFICATIONS:

Contact Resistance : 30mΩ max  
 Insulation Resistance : 100MΩ min. at DC 500V  
 Dielectric Withstanding Voltage: AC 500V for one minute  
 Remark: ▲: The Most Important Dimension